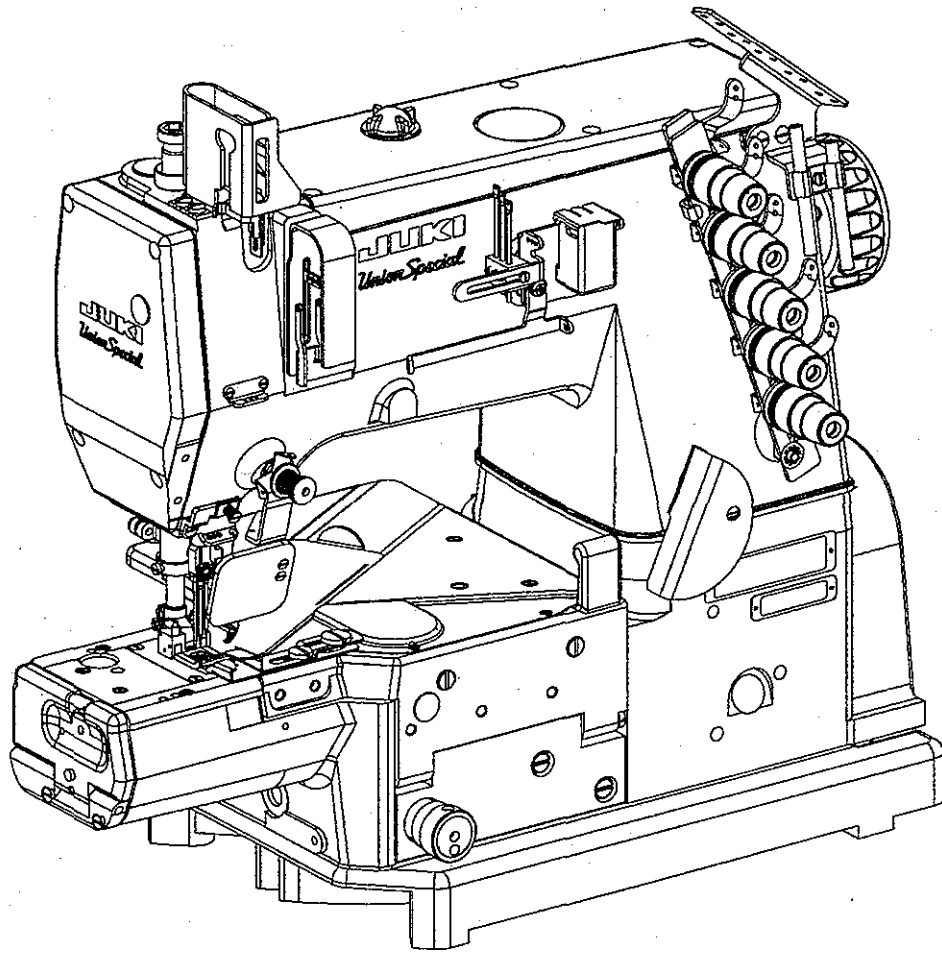




JUKI
Union Special

ILLUSTRATED PARTS MANUAL



**CS100 SERIES, DIFFERENTIAL FEED,
HIGH SPEED CYLINDER BED MACHINES**

MANUAL NO. PT9425

STYLES
CS122H01
CS132H01

Manual No. PT9425 Illustrated Parts List for CS100 Series Machines

First Edition Copyright 1995

By

Union Special Corporation Rights Reserved In All Countries

Printed in U.S.A. July 1995

I-5th.

PREFACE

This parts manual has been prepared to assist you in locating individual parts or assemblies on CS100 Series machines. It can be used in conjunction with Union Special Operator's Manual OP9423 and Engineer's Manual EN9424.

It is the desire of Union Special that each machine run at its optimum performance. Parts listed in this manual are designed specifically for your machine and are manufactured with utmost precision to assure long lasting service.

This manual has been comprised on the basis of available information. Changes in design and/or improvements may incorporate a slight modification of configuration in illustrations or part numbers.

On the following pages are illustrations and terminology used in describing the parts used on CS100 Series machines.



CONTENTS

• PREFACE	2
• SAFETY RULES	4
• IDENTIFICATION OF MACHINES	5
• STYLES OF MACHINES	5
• ILLUSTRATIONS	5
• IDENTIFYING PARTS	6
• NEEDLES	6
• BUSHINGS	9
• NEEDLE BAR	11
• UPPER MAIN SHAFT	13
• SPREADER	15
• THREAD GUIDE	17
• THREAD TENSION	19
• PRESSER FOOT LIFT	21
• COVERS UPPER ARM	23
• LOWER MAIN SHAFT	25
• LUBRICATION OIL TUBING & OIL PUMP	27
• LOOPER DRIVE	29
• LOOPER THREAD TAKE -UP & NEEDLE GUARD	31
• FEED DRIVE MECHANISM	33
• FEED DRIVE MECHANISM	35
• COVERS LOWER BED	37
• COVERS LOWER BED - FRONT	39
• SEWING PARTS	41
• NEEDLE DIPPER (EXTRA SEND CHARGE)	43
• PNEUMATIC DRIVE ASSEMBLY	45
• FOR UNDER BED THREAD TRIMMER ASSEMBLY	45
• UNDER BED THREAD TRIMMER ASSEMBLY	47
• COVER THREAD TRIMMER FOR STYLE:	
CS132H01-3B_ _ / UT5	49
• PNEUMATIC PRESSER FOOT LIFTER FOR STYLE:	
CS122H01-3B_ _ / UT4	51
• PNEUMATIC CONTROL	53
• ACCESSORIES	55
• NUMERICAL INDEX OF PARTS	56
• NUMERICAL INDEX OF PARTS	57
• NOTES	58
• NOTES	59



SAFETY RULES

1. Before putting the machines described in this manual into service, carefully read the instructions. The starting of each machine is only permitted after taking notice of the instructions and by qualified operators.

IMPORTANT! Before putting the machine into service, also read the safety rules and instructions from the motor supplier.

2. Observe the national safety rules valid for your country.
3. The sewing machines described in this instruction manual are prohibited from being put into service until it has been ascertained that the sewing units which these sewing machines will be built into, have conformed with the EC Council Directives (89/392/EEC, Annex II B).

Each machine is only allowed to be used as foreseen. The foreseen use of the particular machine is described in paragraph "STYLES OF MACHINES" of this instruction manual. Another use, going beyond the description, is not as foreseen.

4. All safety devices must be in position when the machine is ready for work or in operation. Operation of the machine without the appertaining safety devices is prohibited.
5. Wear safety glasses.
6. In case of machine conversions and changes all valid safety rules must be considered. Conversions and changes are made at your own risk.
7. The warning hints in the instructions are marked with one of these two symbols:



8. When doing the following the machine has to be disconnected from the power supply by turning off the main switch or by pulling out the main plug:
 - 8.1 When threading needle(s), looper, spreader etc.
 - 8.2 When replacing any parts such as needle(s), presser foot, throat plate, looper, spreader, feed dog, needle guard, folder, fabric guide etc.
 - 8.3 When leaving the workplace and when the workplace is unattended.
 - 8.4 When doing maintenance work.
 - 8.5 When using clutch motors without actuation lock, wait until the motor is stopped totally.
9. Maintenance, repair and conversion work (see item 8) must be done only by trained technicians or special skilled personnel under consideration of the instructions.
10. Any work on the electrical equipment must be done by an electrician or under direction and supervision of special skilled personnel.
11. Work on parts and equipment under electrical power is not permitted. Permissible exceptions are described in the applicable sections of standard sheet DIN VDE 0105.
12. Before doing maintenance and repair work on the pneumatic equipment, the machine has to be disconnected from the compressed air supply. In case of existing residual air pressure after disconnecting from compressed air supply (i.e. pneumatic equipment with air tank), the pressure has to be removed by bleeding.

IDENTIFICATION OF MACHINES

Each UNION SPECIAL machine is identified by a style number, which is stamped into the style plate affixed to the middle of the machine under the tension assembly. The serial number is stamped into the serial number plate affixed to the right rear base of the machine.

STYLES OF MACHINES

Precision three needle cylinder bed machines. Rotary mainshafts for smoother, quieter and faster operations. Equipped with quick change for main and differential feed. Independently driven rear needle guard, no adjustment necessary when changing stitch length. Adjustable looper avoid eccentric to adapt the looper avoid motion and the elliptic path of looper to the required needle size and type of sewing threads.

CS132H01-3B_/_UT5 HEMMER. Three needle, top cover thread, electro pneumatic under bed thread trimmer and pneumatic spreader thread trimmer. - Typical Application - For circular hemming on light, medium and heavy weight knitted fabrics and for hemming neck, leg, and arm holes on swimwear and underwear, also suitable for children's sizes. Seam Specification 605 EFa-1. Standard gauge numbers 056, (7/32", 5.6mm), 060, (15/64", 6.0mm). Recommended needle 121 GJS, needle range sizes 055/022 - 090/036. Maximum recommended speed, depending on application is up to 6500 R.P.M.

CS122H01-3B_/_UT4 HEMMER. Three needle, differential feed, bottom coverstitch, cylinder bed machine with electro-pneumatic under bed thread trimmer and blower type needle thread wiper. - Typical Application - For circular hemming operations on light, medium and heavy weight knit fabrics. Seam Specifications 605EFa-1. Standard gauge number 060, (15/64", 6.0mm). Recommended needle 121GJS, needle range sizes 055/022 - 090/036. Maximum recommended speed, depending on application is up to 6500 R.P.M.

ILLUSTRATIONS

This manual has been arranged to simplify ordering repair parts. Exploded views of various sections of the mechanism are shown so that the parts may be seen in their actual position in the machine. On the page opposite the illustration will be found a listing of the parts with their part numbers, description and the number of pieces required in the particular view being shown.

Numbers in the first column are reference numbers only, and merely indicate the position of the part in the illustration. The reference number should never be used in ordering parts. Always use the part number listed in the second column.

Component parts of sub-assemblies which can be furnished for repairs are indicated by indenting their descriptions under the description of the main sub-assembly. As an example refer to the following text.

5.	50366B	Needle Thread Strike-Off Assembly	1
6.	50358V	Needle Thread Strike-Off	1
7.	50370F	Thread Strike-Off Componenty	1
8.	SS7060310SP	Screw, for plate strike-off	1

When a part is common to all machines covered in this manual, no specific usage will be mentioned in the description. However, when the parts for the various machines are not the same, the specific usage will be mentioned in the description and, if necessary, the difference will be shown in the illustration.

*NOTE: Ref. No. showing no Part No. is for location only. Part is not for sale separately.

A numerical index of all the parts shown in this manual is located at the back. This will facilitate locating the illustration and description when only a part number is known.



IDENTIFYING PARTS

Where construction permits, each part is stamped with its part number. On some of the smaller parts and on those where construction does not permit, an identification letter is stamped in to distinguish the part from similar ones.

PLEASE NOTE: Part numbers represent the same part, regardless of which manual they appear. On all orders please include part number, name and style of machine for which the part was ordered.

For optimum performance use only genuine Union Special replacement parts.

NEEDLES

Each needle has both a type and size number. The type number denotes the kind of shank, point, length, groove, finish and other details. The size number, stamped on the needle shank, denotes the largest diameter of the blade measured between the shank and the eye. Collectively, the type number and size number represent the complete symbol which is given on the label of all needles packed and sold by Union Special.

TYPE

DESCRIPTION

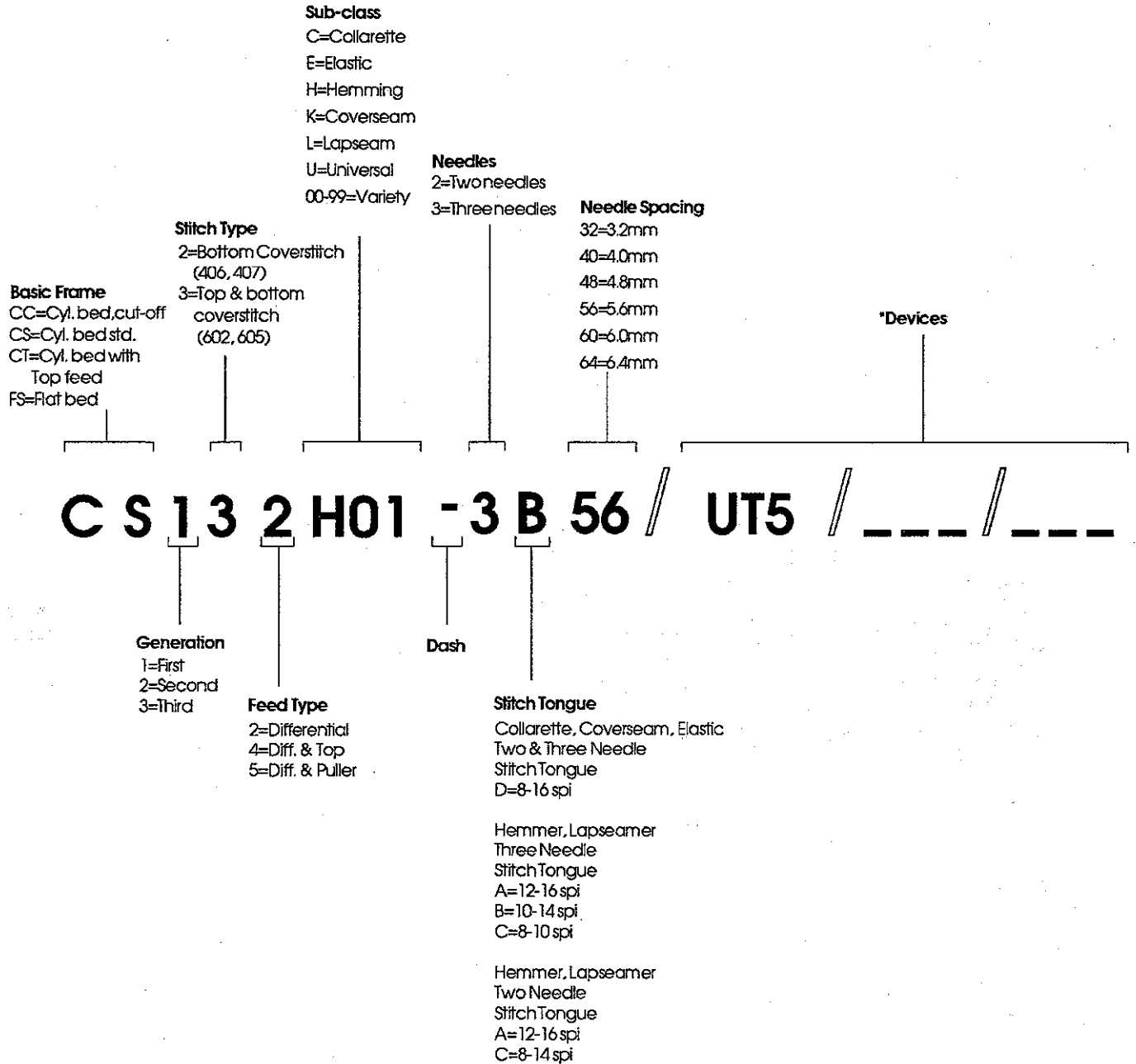
121 GJS Short, double groove, struck groove, ball eye, spotted, ball point, chromium plated- Sizes available 055/022, 065/025, 070/027, 075/029, 080/032, 090/036.

When changing the needle, make sure it is fully inserted in the holder before the screw is tightened.

When ordering needles, please use the complete type and size numbers as printed on the package to ensure prompt and accurate processing of your order. A complete order should read as follows: "100 needles, type 121 GJS, size 075/029".



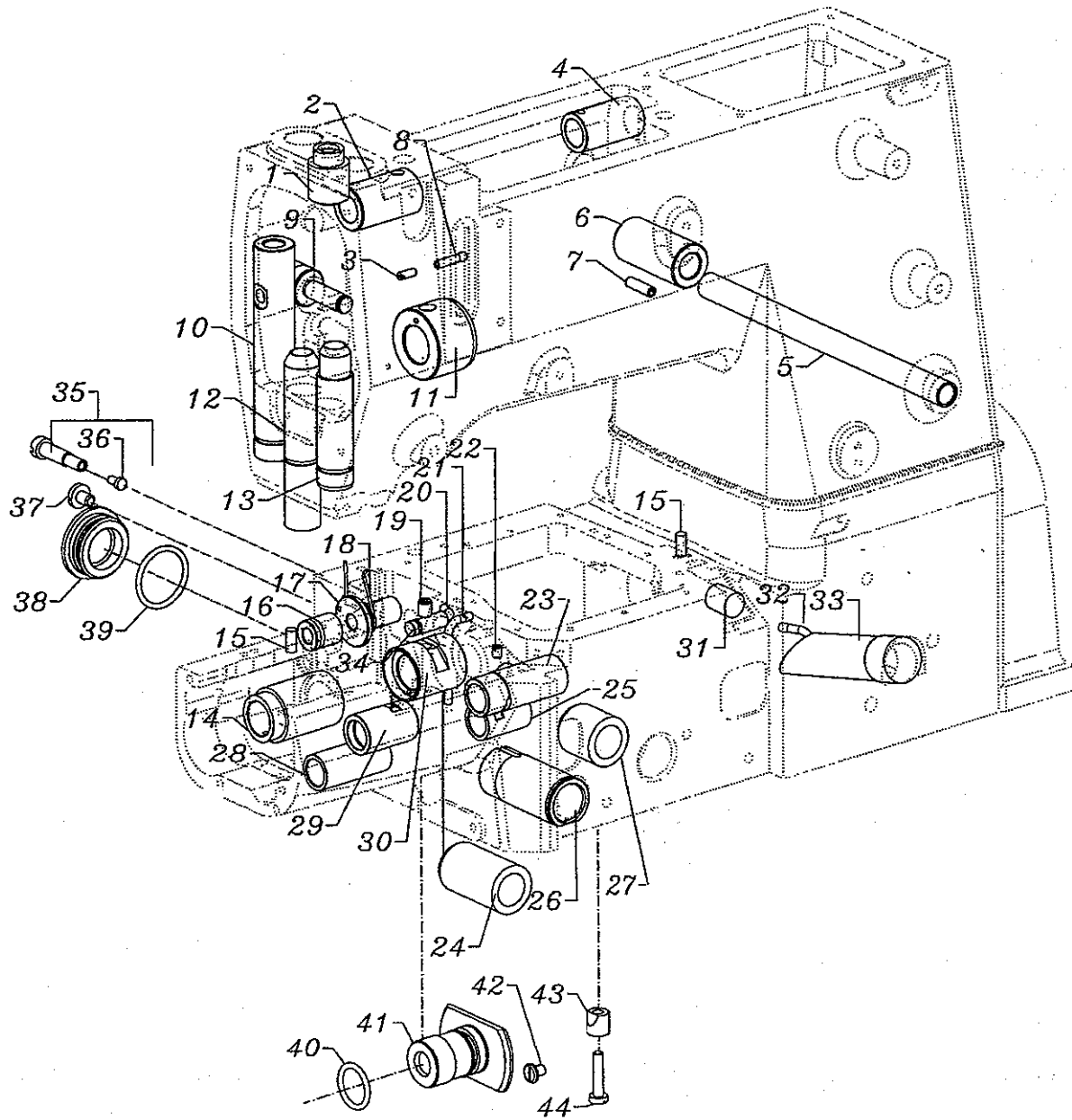
CS100 SERIES BUILDING BLOCK STYLE DESIGNATION SYSTEM



UT4 for use on CS122 Styles = Pneumatic (air), thread trimmer, needle thread wiper (blower) and presser foot lift assist.

UT5 for use on CS132 Styles = Pneumatic (air), thread trimmer, top cover thread trimmer and presser foot lift assist.

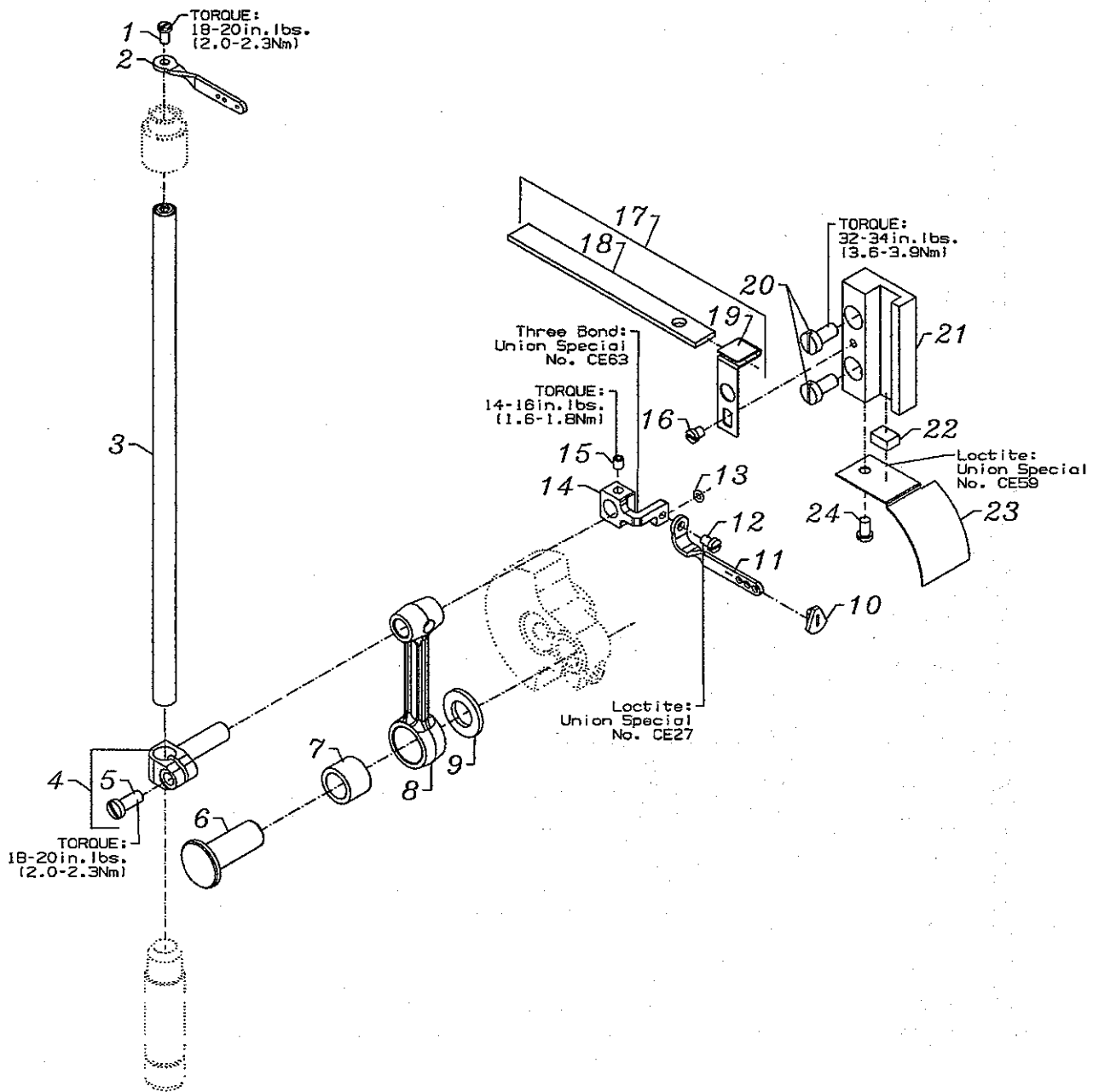




BUSHINGS

Ref. No.	Part No.	Description	Amt. Req.
1.	50354J	Bushing, for needle bar, upper	1
2.	50347F	Bushing, for spreader, front	1
3.	SS8090710SP	Screw, for shaft	1
4.	50347E	Bushing, for spreader, rear	1
5.	50392AB	Bushing, for tension release	1
6.	50381E	Bushing, for lifter lever	1
7.	PS400142KH	Pin	1
8.	50393FL	Tube, front	1
9.	50332U	Pin	1
10.	50347L	Bushing, for spreader bar	1
11.	50393ET	Bushing	1
12.	50330CZ	Bushing, for presser bar	1
13.	50354H	Bushing, for needle bar, lower	1
14.	34390	Bushing, for main shaft, left	1
15.	96841	Pin	2
16.	50373DC	Bushing, for cast-off plate bracket	1
17.	50373DD	Bushing, for cast-off plate bracket	1
18.	50395K	Spring, for cast-off plate	1
19.	22894AD	Screw	1
20.	34394	Oil Tube	1
21.	34394A	Oil Tube	1
22.	22565C	Set Screw	1
23.	34336E	Bushing, for feed lifter shaft, right	1
24.	34342F	Bushing, for looper drive shaft, rear	1
25.	34336B	Bushing, for feed rocker shaft, right	1
26.	34336MB	Bushing	1
27.	34342G	Bushing, for looper drive shaft, front	1
28.	34336C	Bushing, for feed rocker, left	1
29.	34336D	Bushing, for feed lifter shaft, left	1
30.	50344AK	Bushing, for main shaft, middle	1
31.	22571F	Plug Screw	1
32.	34394B	Oil Tube	1
33.	50393GF	Oil Sight Gauge	1
34.	999-211B	"O" Ring	1
35.	99352	Stop Screw	1
36.	999-212-035	Stop	1
37.	25S	Screw	1
38.	34893A	Oil Seal Plug, rear	1
39.	661-254	"O" Ring	1
40.	999-211	"O" Ring	1
41.	34336F	Bushing	1
42.	22829	Screw	1
43.	34336G	Pressure Sleeve	1
44.	22874	Screw	1

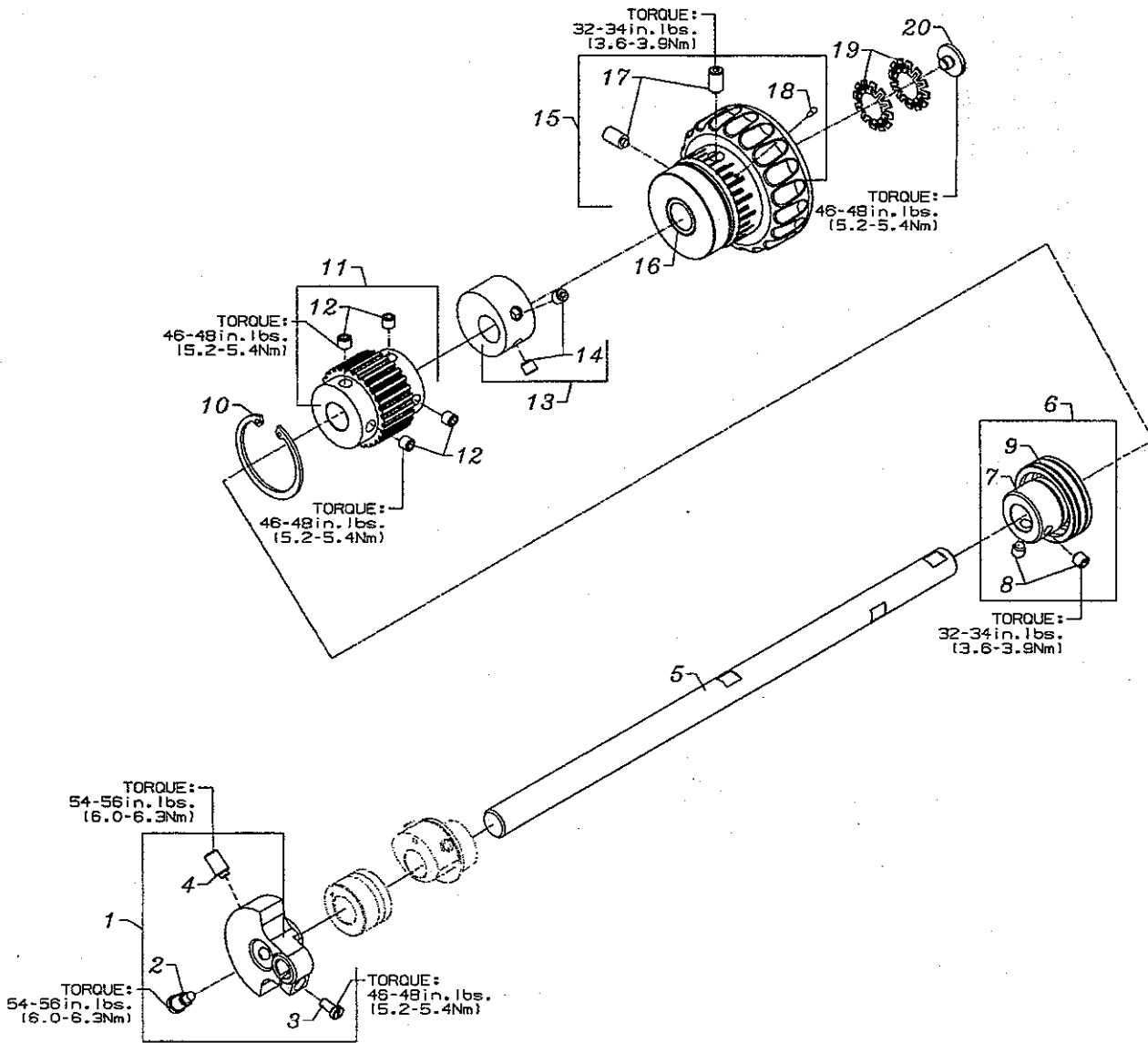




NEEDLE BAR

Ref. No.	Part No.	Description	Amt. Req.
1.	SS4080620TP	Screw	1
2.	50323P	Needle Bar Eyelet	1
3.	50317B	Needle Bar	1
4.	50355AM	Needle Bar Clamp	1
5.	SS7111120TP	Screw	1
6.	50352	Pivot Pin	1
7.	661-259B	Needle Bearing Cage	1
8.	50355AN	Connecting Rod	1
9.	50351A	Washer	1
10.	50393JP	Eyelet Seal	1
11.	50358X	Needle Thread Eyelet	1
12.	SS7080520SP	Screw	1
-	CE27	Loctite Adhesive, (not shown), for screw	-
13.	660-980	"O" Ring	1
14.	50354F	Slide Block	1
-	CE63	Three Bond Adhesive, (not shown), for slide block	-
15.	SS8110422TP	Screw	1
16.	SS6090440SP	Screw, for support bracket	1
17.	50383M	Support Bracket Assembly	1
18.	50393HW	Felt, for slide block access hole	1
19.	50383L	Support Bracket	1
20.	SS6121010SP	Screw	2
21.	50354G	Slide Block Guide	1
22.	50393HS	Sponge	1
-	CE59	Loctite Adhesive, (not shown), for sponge	-
23.	50394AF	Slide Block Guide Cover	1
24.	SS6090620SP	Screw	1



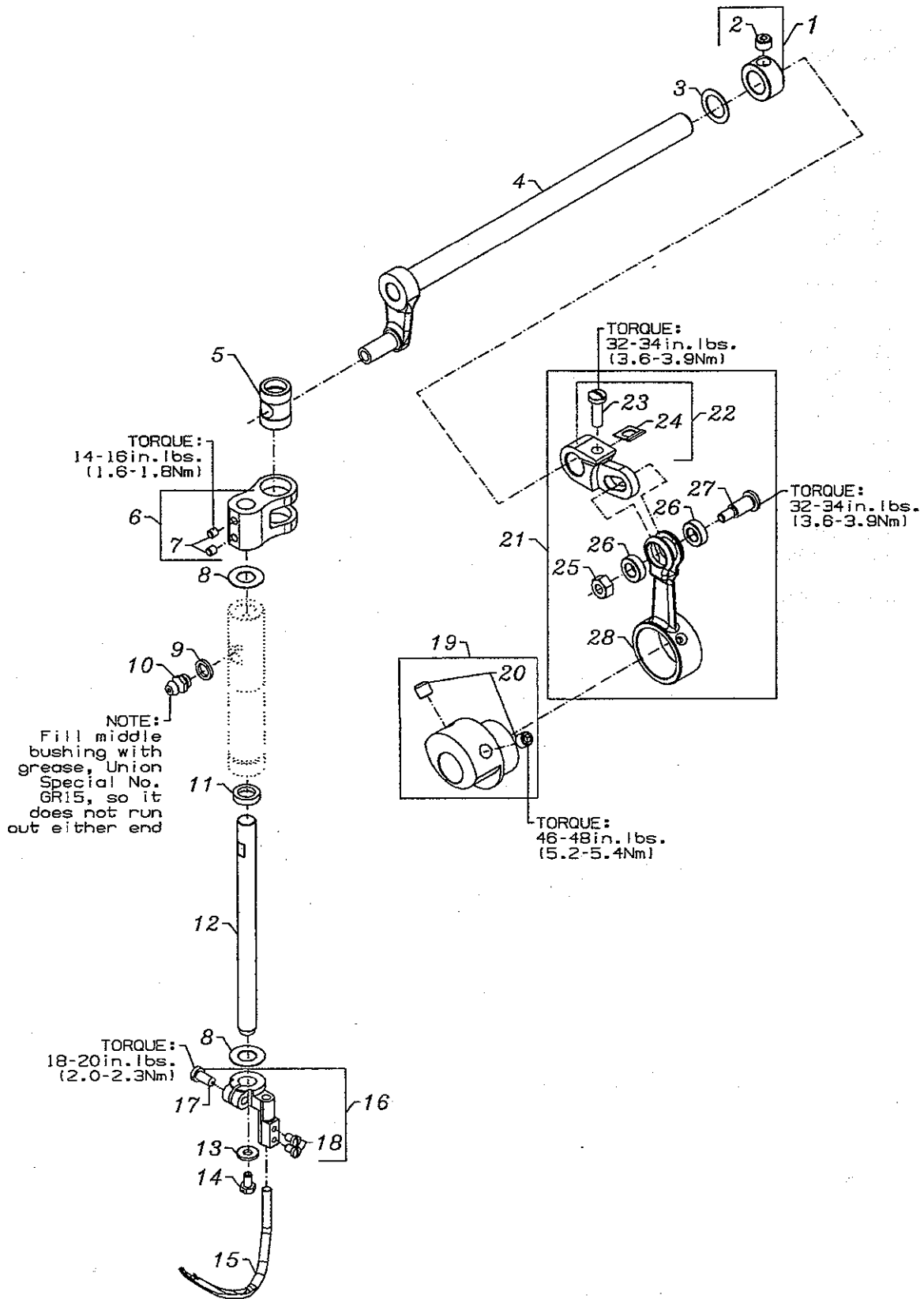


UPPER MAIN SHAFT

Ref. No.	Part No.	Description	Amt. Req.
1.	50391	Counter Weight	1
2.	SS7681410TP	Screw, for counter weight	1
3.	SS7111120TP	Screw, for counter weight	1
4.	SS8681412TP	Screw, for counter weight	1
5.	50322AF	Upper Main Shaft	1
6.	50335BD	Bearing Adapter Assembly	1
*7.		Bearing Adapter	1
8.	SS8660612TP	Screw, for bearing adapter	2
*9.		Ball Bearing, for upper main shaft, middle	1
10.	661-262	Retaining Ring	2
11.	50342AY	Sprocket, for upper main shaft	1
12.	SS8661012TP	Set Screw, for sprocket	4
13.	50391A	Counterweight	1
14.	SS8660612TP	Screw	2
15.	50321H	Handwheel	1
*16.		Ball Bearing	1
17.	SS8681412TP	Set Screw, for handwheel	2
18.	660-1043	Tack Pin	1
19.	661-261	Load Ring, for lower main shaft	2
20.	SS7660520SP	Screw, for handwheel preload	1

*NOTE: Not sold separately.

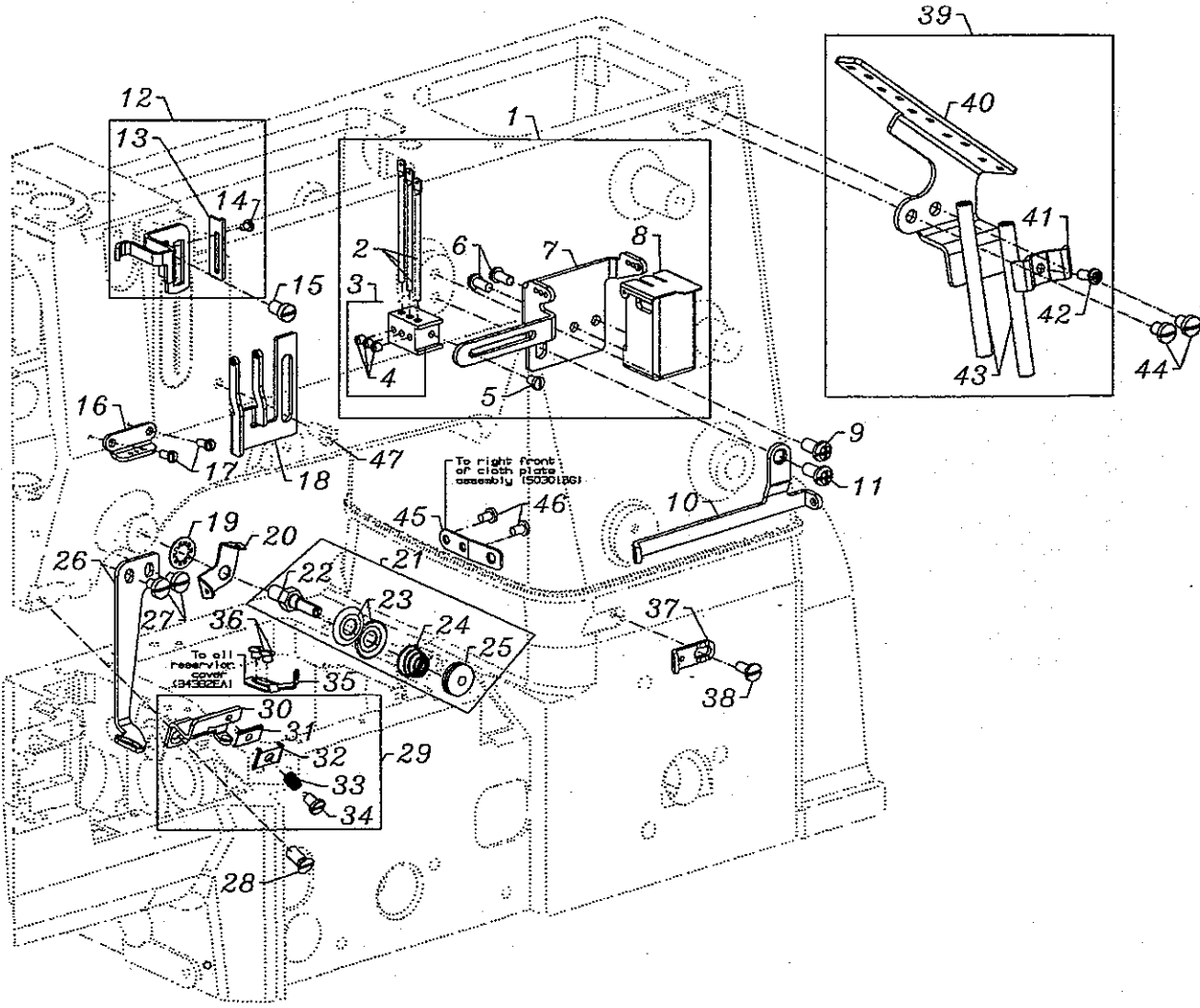




SPREADER

Ref. No.	Part No.	Description	Amt. Req.
1.	50335AW	Collar, for spreader shaft	1
2.	SS8660512TP	Set Screw	1
3.	96162B	Washer	1
4.	50360B	Crankshaft, for spreader assembly	1
5.	50347J	Pin, for spreader rocker	1
6.	50347C	Lever, for spreader holder shaft	1
7.	SS8110422TP	Screw	2
8.	61351C	Washer	2
9.	50335AV	Collar	1
10.	50362	Grease Nipple	1
11.	660-739	Oil Seal	1
12.	50347G	Shaft, for spreader, vertical	1
13.	53678N	Washer	1
14.	SS9090640SP	Hex Screw, for vertical shaft	1
15.	50360E	Spreader	1
16.	50346A	Spreader Holder	1
17.	SS7110910TP	Screw	1
18.	SS7080510TP	Screw	2
19.	50360	Eccentric, for spreader drive	1
20.	SS8660612TP	Screw	2
21.	29126FL	Spreader Crank Rod Assembly	1
22.	50360C	Spreader Shaft Driving Arm	1
23.	SS7121410TP	Screw	1
24.	B2531704000	Bind Washer	1
25.	NS6110530SP	Nut	1
26.	50347K	Collar, for spreader driving arm	2
27.	SD0641103TP	Shoulder Screw	1
28.	50360D	Connecting Rod, for spreader drive	1
-	28604X	Grease Gun, (not shown, extra send charge)	1
-	GR15	Tube of Grease, 14oz. (not shown, extra send charge)	1

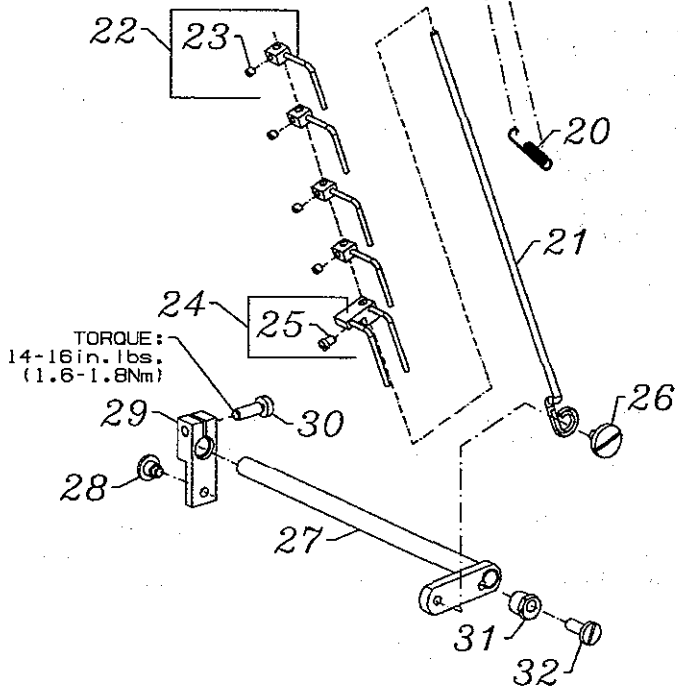
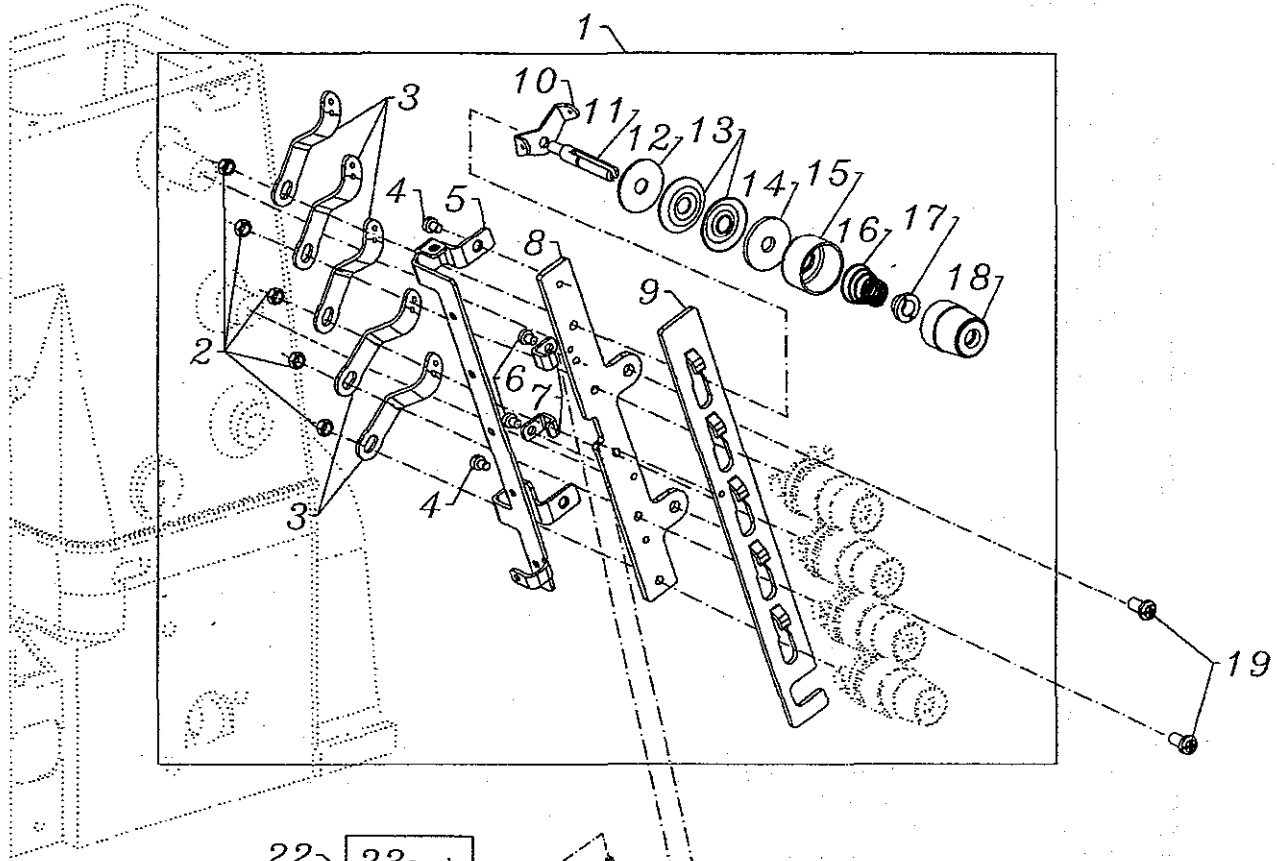




THREAD GUIDE

Ref. No.	Part No.	Description	Amt. Req.
1.	50363CJ	Thread Lubricator Assembly	1
2.	36271A	Adjusting Needle Thread Eyelet	3
3.	50358W	Holder, for needle thread eyelet	1
4.	SS8080410TP	Screw	3
5.	SS7080510TP	Screw, for holder eyelet	1
6.	SS4090815SP	Screw, for silicone tank	2
7.	50392V	Needle Thread Guide	1
8.	50393HH	Silicone Thread Lubricator	1
9.	SS4120615SP	Screw, for spreader thread guide	1
10.	50358U	Thread Guide, for spreader	1
11.	SS4120915SP	Screw, for needle thread guide	1
12.	50366B	Needle Thread Strike-Off Assembly	1
13.	50370F	Thread Strike-Off Component	1
14.	SS7060310SP	Screw, for plate strike-off	1
15.	SS7120710SP	Screw, for strike-off	1
16.	C50044E	Needle Thread Guide	1
17.	605A	Screw, for needle thread guide	2
18.	50392T	Eyelet	1
19.	652C16	Star Washer	1
20.	57844	Eyelet	1
21.	29475CG	Spreader Thread Tension Assembly	1
22.	50392AW	Tension Post	1
23.	50392AX	Tension Disc	2
24.	50392AY	Tension Spring	1
25.	50392AZ	Tension Nut	1
26.	50346	Thread Guide Spreader	1
27.	SS7090610SP	Screw, for spreader thread guide	2
28.	SS1121010SP	Screw, for thread guide	1
29.	50357AD	Nipper Plate Assembly	1
30.	50392BA	Thread Guide	1
31.	50357V	Nipper Plate	1
32.	50357Y	Nipper Spring Plate	1
33.	B1135850000	Nipper Spring	1
34.	SD0380551SL	Shoulder Screw	1
35.	50392AG	Looper Thread Guide	1
36.	18C1471	Screw	2
37.	12124202	Looper Frame Eyelet	1
38.	98A	Screw	1
39.	50392AU	Thread Eyelet Assembly	1
40.	50392S	Lead-in Tension Eyelet	1
41.	50366A	Thread Eyelet Tube Bracket	1
42.	SS4090815SP	Screw, for tube bracket	1
43.	50366	Thread Eyelet Tube	2
44.	SS7120640SP	Screw, for lead-in eyelet	2
45.	34358F	Looper Thread Guide	1
46.	87U	Screw	2
47.	SS4120915SP	Screw, for thread take-up cover (see page 23)	1

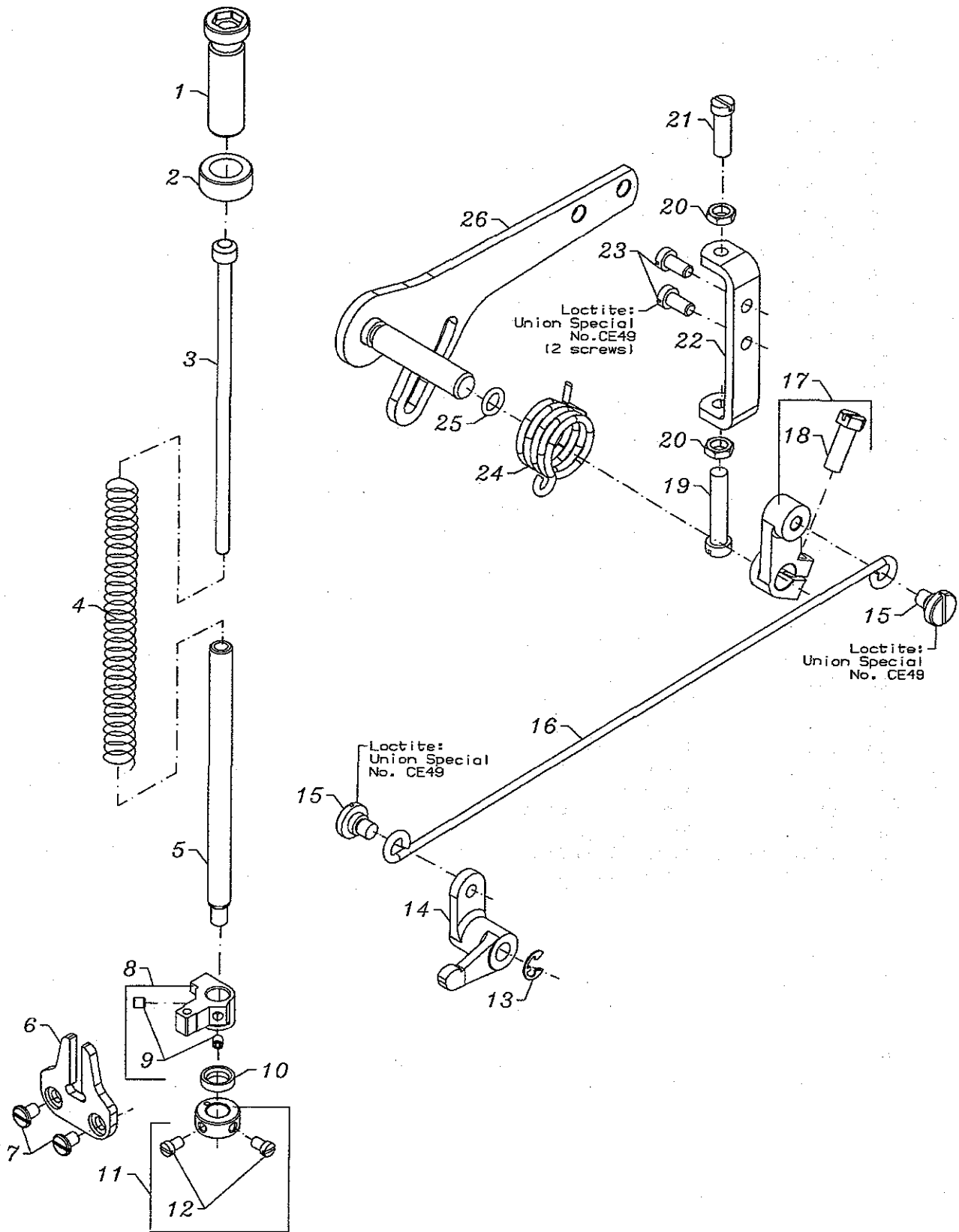




THREAD TENSION

Ref. No.	Part No.	Description	Amt. Req.
1.	29477NL	5 Thread Tension Assembly	1
2.	NS6110420SP	Nut	5
3.	57865	Lead-in Thread Guide	5
4.	SS7090520SP	Screw	2
5.	50392AP	Thread Guide	1
6.	SS7090520SP	Screw	2
7.	50392AV	Guide, for tension disc separator	2
8.	50392X	Tension Bracket	1
9.	50392AR	Tension Disc Separator	1
10.	57892K	Thread Tension Eyelet	5
11.	56392G	Tension Post	5
12.	B3120352000	Tension Disc Felt	5
13.	B3126012000	Tension Disc	10
14.	B3120704000	Tension Disc Felt	5
15.	56392H	Spring Shield	5
16.	B3103804000	Spring, for spreader (blue)	1
-	B3101804000	Spring, for needle (red)	3
-	B3021804010	Spring, for looper (plain)	1
17.	B3112704000	Ferrule, for tension spring	5
18.	56392M	Knob, for spreader (blue)	1
-	56392L	Knob, for needle (red)	3
-	56392S	Knob, for looper (plain)	1
19.	SS4120615SP	Screw	2
20.	96711	Spring	1
21.	50392AS	Rod, for thread puller	1
22.	G51358KE	Thread Pull-off Hook	4
23.	28C	Screw	4
24.	A9858	Thread Pull-off Hook	1
25.	77A	Screw	1
26.	99296	Shoulder Screw	1
27.	50392AN	Tension Release Assembly	1
28.	22735	Shoulder Screw	1
29.	99620	Tension Release Lever	1
30.	22596	Screw	1
31.	G51346KA	Tension Release Eccentric	1
32.	22757	Screw	1

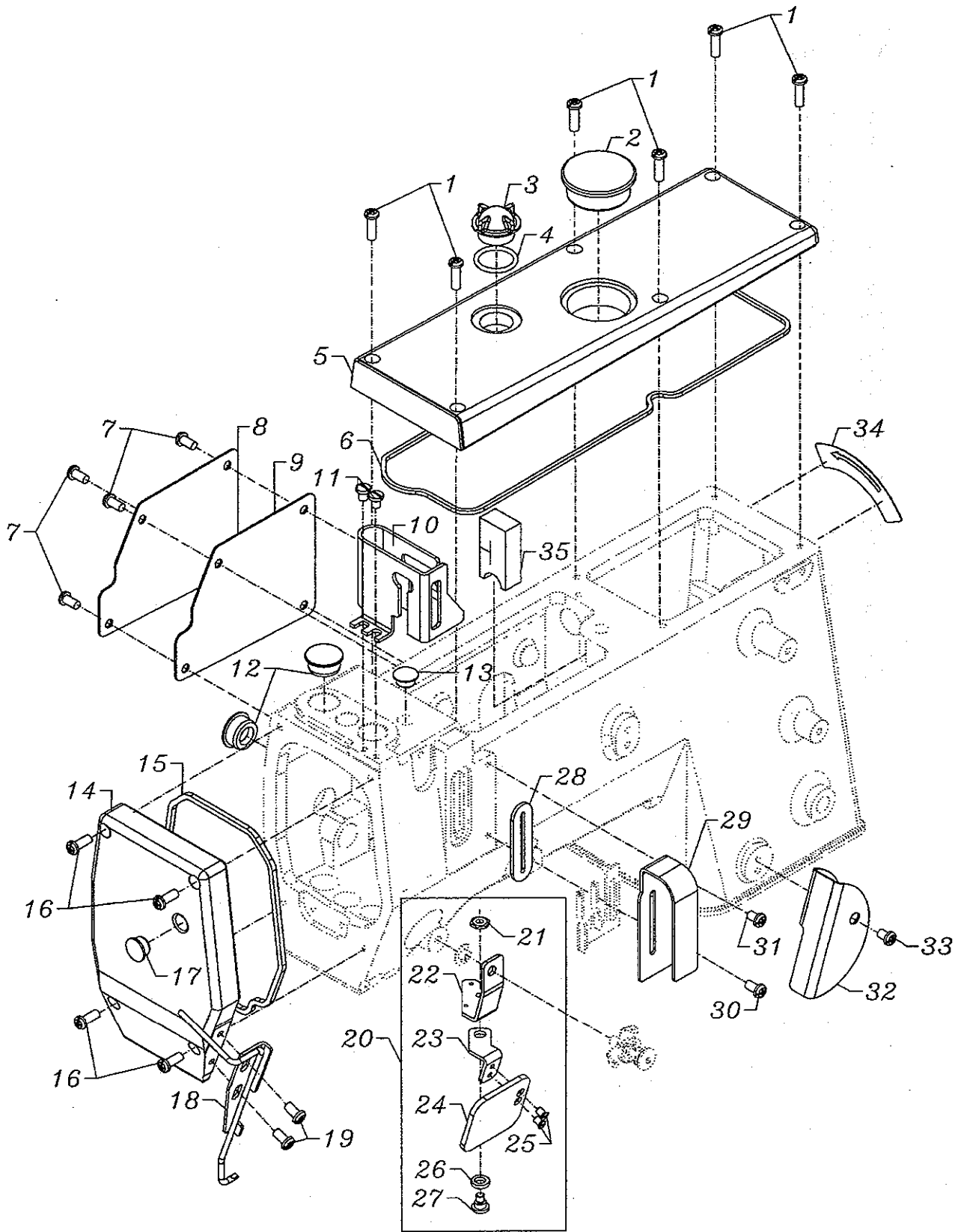




PRESSER FOOT LIFT

Ref. No.	Part No.	Description	Amt. Req.
1.	11071602	Adjusting Screw, for spring	1
2.	11071701	Locking Nut	1
3.	C50056B	Spring Rod	1
4.	50357AA	Spring, for presser bar	1
5.	50335AF	Presser Bar	1
6.	50335AG	Guide Plate, for presser bar	1
7.	SS6110610TP	Screw, for guide plate	2
8.	50335AH	Presser Bar Guide	1
9.	SS8110422TP	Set Screw	2
10.	660-739	Oil Seal	1
11.	52888B	Collar	1
12.	22562	Screw	2
13.	RE0500000KO	Retaining Ring, for pin	1
14.	50381F	Lifter Lever, front	1
15.	SD0790303SP	Screw, for wire connector	2
-	CE49	Loctite Adhesive, (not shown), for screw	-
16.	50355AR	Wire Connector	1
17.	50381G	Lifter Lever, rear	1
18.	SS9151740CP	Hex Screw	1
19.	SS6153040SP	Screw, for adjusting stopper	1
20.	NS6150310SP	Hex Nut	2
21.	SS6151920SP	Screw, for adjusting stopper	1
22.	50332V	Positioning Bracket, for lifter lever	1
23.	SS6121010SP	Screw, for positioning bracket	2
-	CE49	Loctite Adhesive, (not shown), for screw	-
24.	50381	Spring, for lifter lever	1
25.	RO068190100	"O" Ring	1
26.	50381B	Lifter Lever Assembly	1

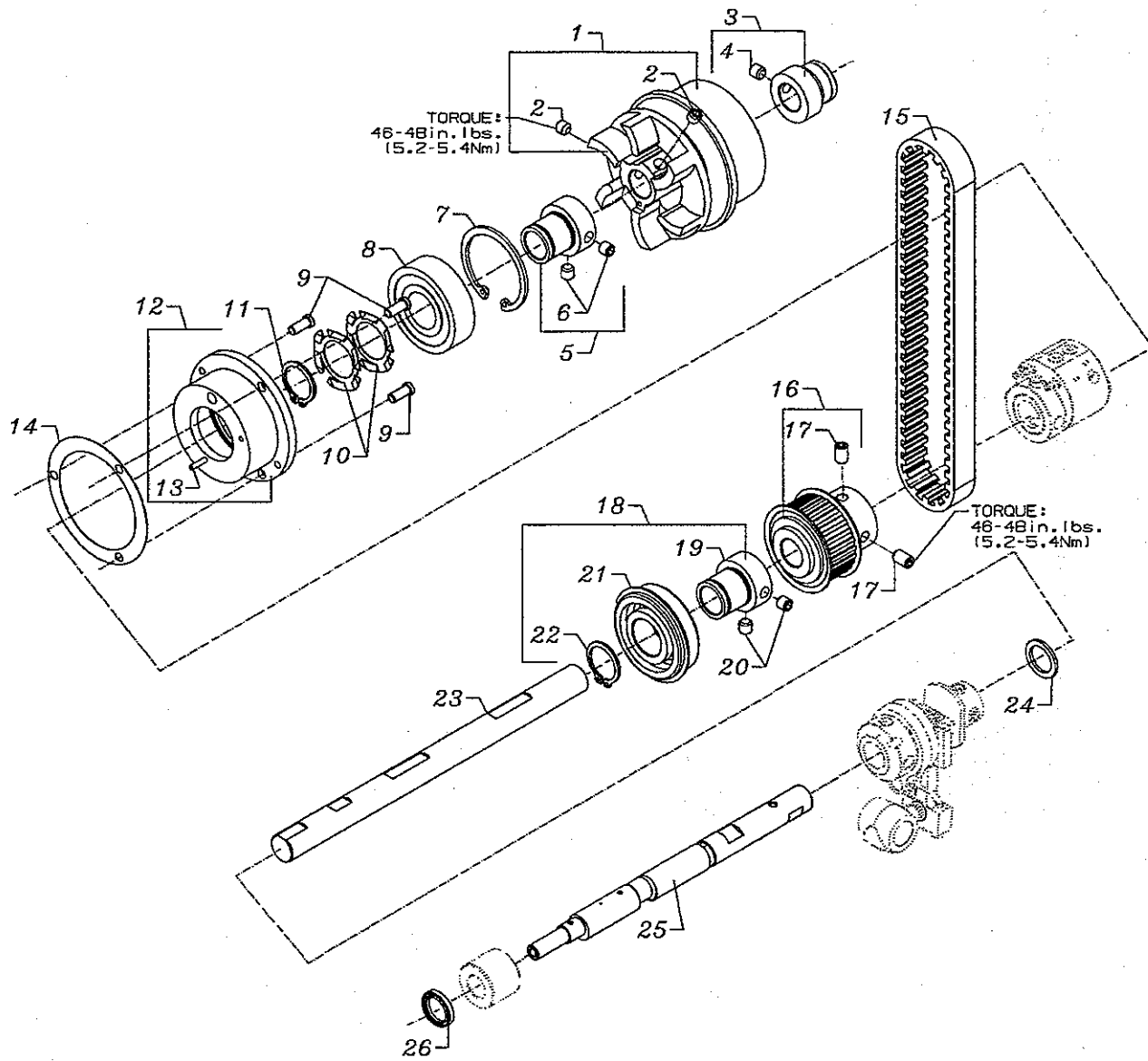




COVERS UPPER ARM

Ref. No.	Part No.	Description	Amt. Req.
1.	SS4121615SP	Screw, for top cover	6
2.	50393EU	Plug, top	1
3.	B3530555000	Oil Sight Gauge, top	1
4.	RO195240100	"O" Ring, for oil sight gauge	1
5.	50382FW	Top Cover	1
6.	50382FZ	Quad Ring, for top cover	1
7.	SS4120915SP	Screw, for puller drive cover	4
8.	50382GB	Puller Drive Cover	1
9.	50382GC	Gasket, for puller drive cover	1
10.	50317C	Needle Bar Guard	1
11.	SS7120640SP	Screw, for needle bar guard	2
12.	50393HB	Plug	2
13.	TA1050504R0	Plug, for arm	1
14.	50382FX	Head Cover	1
15.	50382FY	Quad Ring, for head cover	1
16.	SS4121215SP	Screw, for head cover	4
17.	TA1100604R0	Plug	1
18.	50394AJ	Thread Blower Assembly, for Style CS122H01-3B_/_/UT4	1
19.	SS4120615SP	Screw, for Style CS122H01-3B_/_/UT4	2
20.	99682XCA	Sewing Guard Assembly	1
21.	14077	Nut	1
22.	99682XC1	Bracket	1
23.	99682XC2	Bracket	1
24.	99682XC	Sewing Guard	1
25.	22766	Counter Sunk Head Screw	2
26.	95978	Spring Washer	1
27.	22758E	Shoulder Screw	1
28.	50393EW	Rubber Gasket, for needle lever	1
29.	50382GA	Cover, for thread take-up	1
30.	SS4120915SP	Screw, for thread take-up cover	1
31.	SS4120615SP	Screw, for thread cover	1
32.	50382GM	Thread Cover	1
33.	SS4120615SP	Screw, for thread cover	1
34.	LA451	Label Direction of Rotation	1
35.	50393JV	Sponge, for oil protector	1



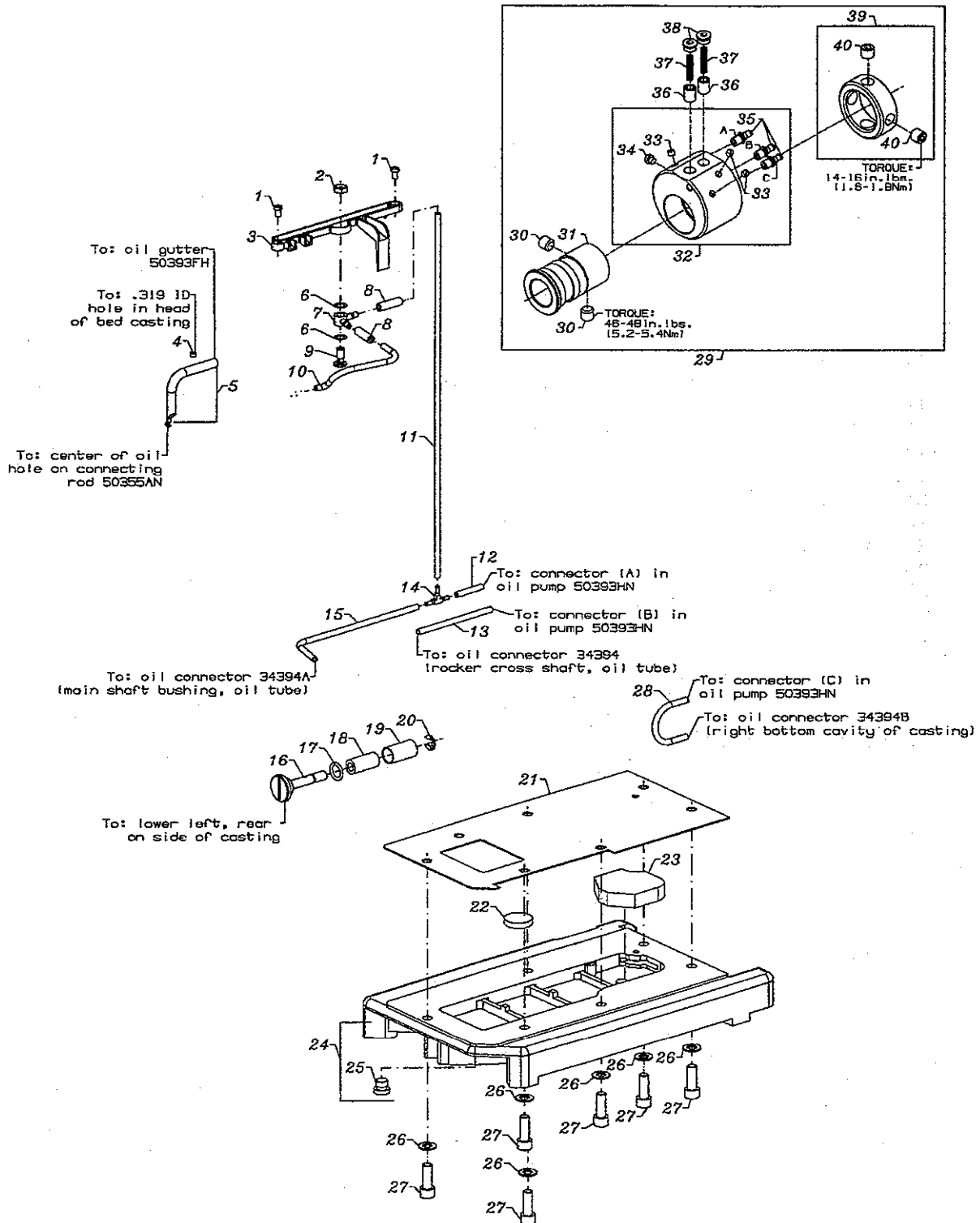


LOWER MAIN SHAFT

Ref. No.	Part No.	Description	Amf. Req.
1.	34321CB	Pulley	1
2.	22651AA4	Set Screw	2
3.	34321CC	Flange, synchronizer.....	1
4.	95205	Screw	1
5.	50335AP	Adapter	1
6.	SS8660612TP	Screw, for adapter	2
7.	661-348	Retainer Ring	1
8.	50311C	Ball Bearing, for lower main shaft, right	1
9.	22569B	Screw, for housing	3
10.	661-261	Load Ring	2
11.	50322AN	Retainer, for sprocket	1
12.	50390L	Rear Bearing Housing	1
13.	99658	Housing Pin	1
14.	56390E	Housing Gasket	1
15.	50342BD	Timing Belt	1
16.	50342BH	Sprocket, for lower main shaft	1
17.	SS8660612TP	Set Screw	2
18.	50335BC	Bearing Adapter Assembly	1
*19.		Adapter	1
*20.		Screw	2
21.	50390P	Ball Bearing, for lower main shaft, middle	1
*22.		Retainer, for sprocket	1
23.	50322AH	Lower Main Shaft, right	1
24.	96162A	Washer	1
25.	34722A	Mainshaft, left	1
-	22560A	Screw (not shown).....	1
-	G50-928	Plug (not shown).....	1
-	34393V3480	Pin (not shown).....	2
26.	50393EZ	Oil Shield, for shielding take-up	1

*NOTE: Not sold separately.



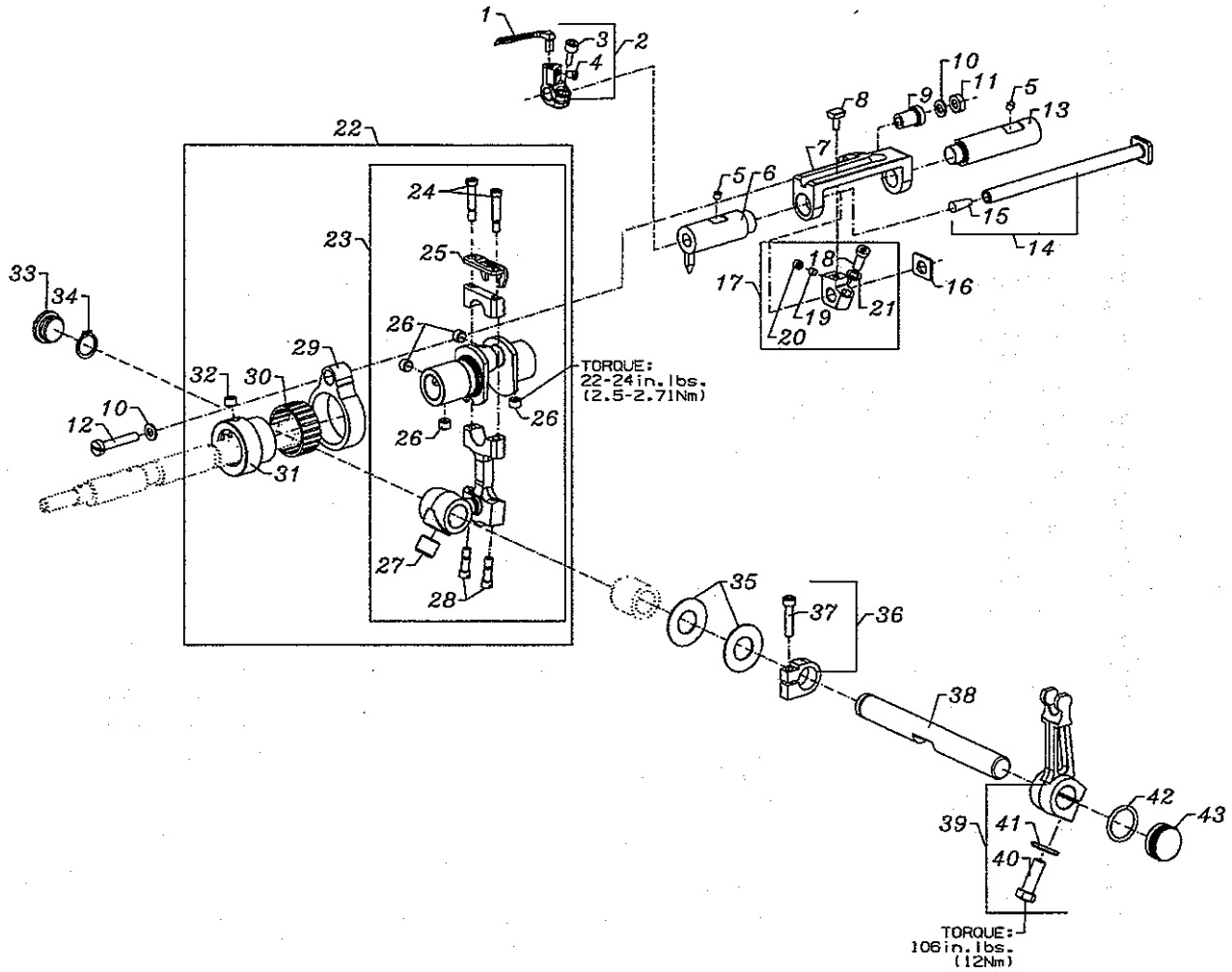


LUBRICATION OIL TUBING & OIL PUMP

Ref. No.	Part No.	Description	Amt. Req.
1.	SS7120710SP	Screw	2
2.	258A	Nut	1
3.	50393FH	Oil Supply Trough	1
4.	SS8120410SP	Set Screw	1
5.	29476SB	Oil Tubing Assembly	1
6.	41350X	Washer	2
7.	C50094B	Connector Double Feed	1
8.	50393GT	Oil Tube Cover	2
9.	50393HE	Plug Screw	1
10.	50393FK	Tube	1
11.	50393FF	Oil Tube	1
12.	50393FD	Oil Tube	1
13.	50393FE	Oil Tube	1
14.	50393GU	"T" Connector	1
15.	50393FG	Oil Tube	1
16.	99349	Stud	1
17.	999-211G	"O" Ring	1
18.	34393M	Oil Screen Felt	1
19.	34393L	Oil Screen	1
20.	96276	Retaining Ring	1
21.	34682C	Gasket	1
22.	90710A	Magnet	1
23.	999-254J	Oil Filter	1
24.	50382GS	Base Plate	1
25.	999-196	Plug Screw	1
26.	95953	Washer	6
27.	95406	Screw	6
28.	50393HV	Oil Tube	1
29.	50393HN	Oil Pump Assembly, 2 stage (see page 24 for location)	1
30.	SS8660612TP	Screw	2
*31.		Oil Pump Bushing	1
*32.		Oil Pump Housing	1
*33.		Screw	3
*34.		Screw	1
*35.		Oil Connector	3
36.	34393D	Plunger	2
37.	50332S	Spring	2
38.	18-1470	Screw	2
*39.		Collar	1
40.	SS860612TP	Screw	2

*NOTE: Not sold separately.



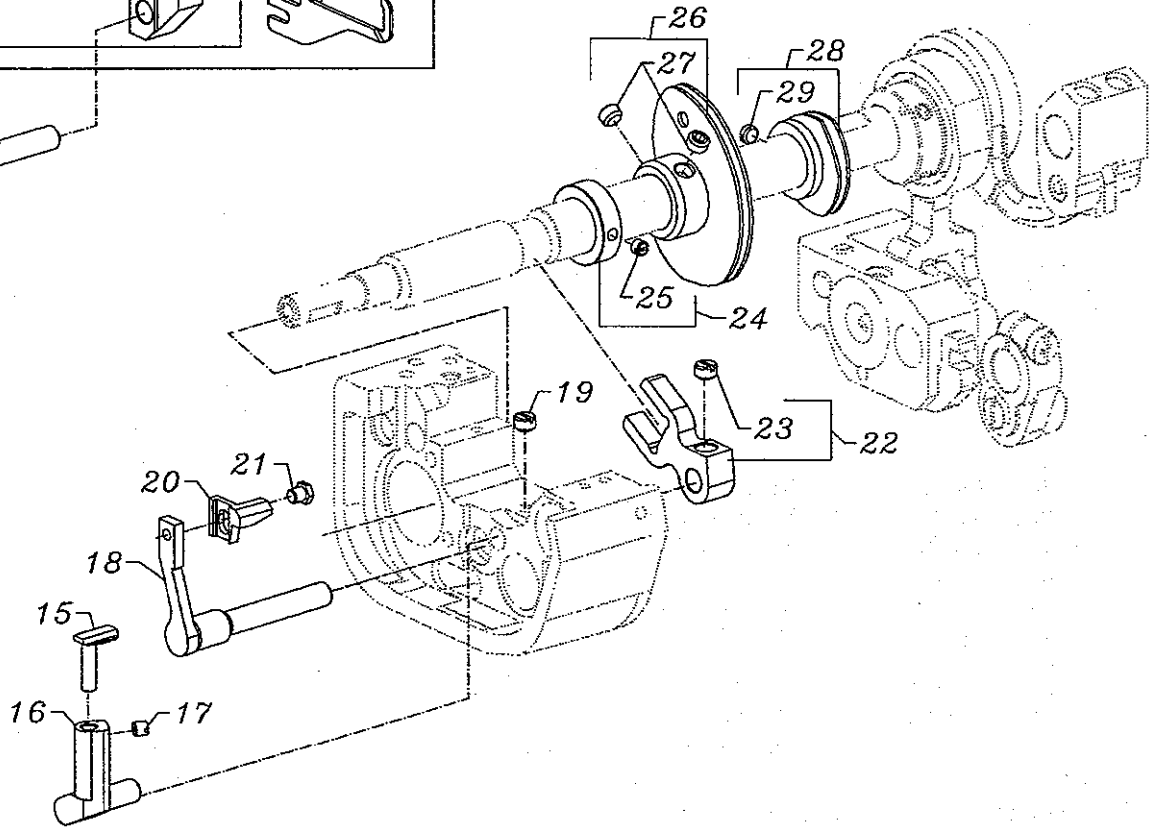
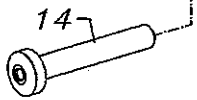
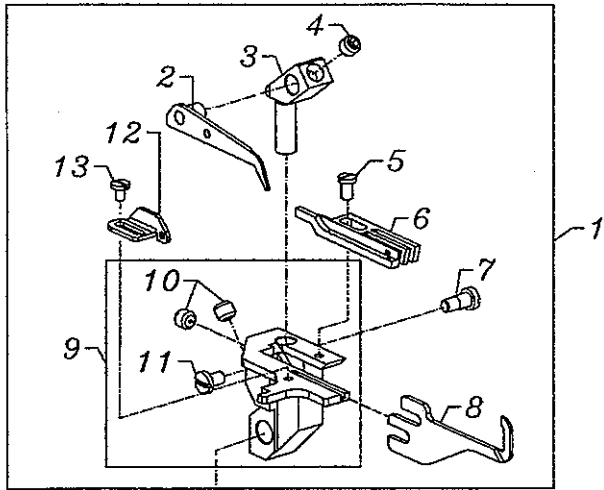


LOOPER DRIVE

Ref. No.	Part No.	Description	Amt. Req.
1.	34709D	Looper	1
2.	50348	Holder, for looper	1
3.	SS6091022TP	Screw	1
4.	SS6090560TP	Screw	1
5.	22894C	Screw	2
6.	50344AF	Bushing, for looper shaft	1
7.	34344A	Cam Guide	1
8.	34344E	Cam Follower	1
9.	50344AG	Bushing	1
10.	99652A	Washer	2
11.	9937	Nut	1
12.	99343	Screw	1
13.	50343RC	Bushing, for looper bar, right	1
14.	50343B	Shaft, for looper	1
15.	CO67D	Cork	1
16.	34343C	Washer	1
17.	34344D	Cam Guide Holder	1
18.	22541B	Screw	1
19.	39543E	Locking Clamp	1
20.	88B	Screw	1
21.	51235G	Washer	1
22.	VG29105F	Looper Eccentric Assembly	1
23.	G29105F	Drive Lever Crank	1
24.	G22582	Screw	2
25.	34343B	Fork	1
26.	22894X	Screw	4
27.	99346	Set Screw	1
28.	G22559A	Screw	2
*29.		Looper Avoid Link	1
30.	999-213B	Bearing	1
*31.		Looper Avoid Eccentric	1
*32.		Screw	1
33.	22733C	Oil Seal Plug	1
34.	661-252	Retaining Ring	1
35.	56390H	Thrust Washer	2
36.	34342J	Binder Collar	1
37.	22652A12	Screw	1
38.	34342H	Looper Rocker Shaft	1
39.	34642A	Looper Rocker Lever	1
40.	22811B	Screw	1
41.	HA20B	Washer	1
42.	661-253	"O" Ring	1
43.	34893	Oil Seal Plug, front	1

*NOTE: Not sold separately.

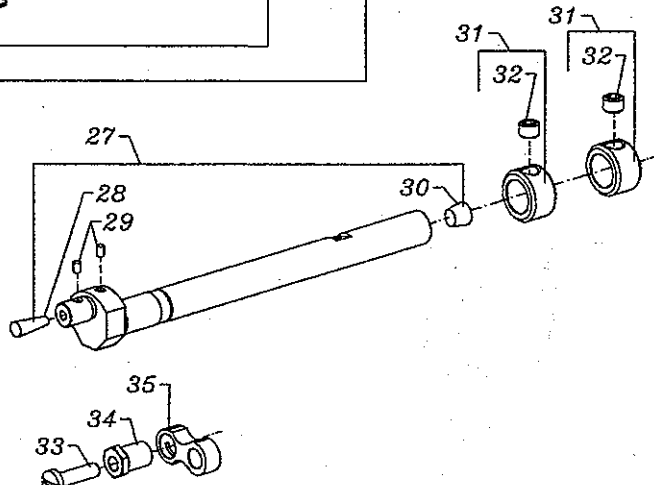
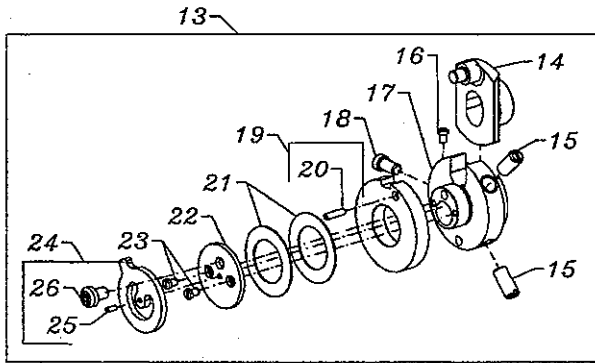
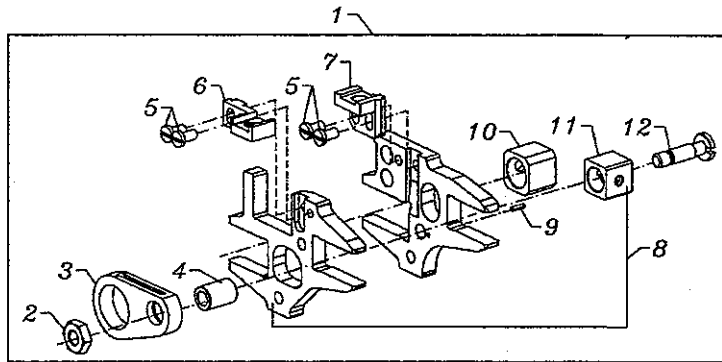




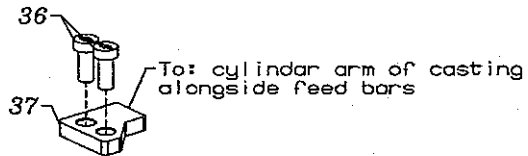
LOOPER THREAD TAKE -UP & NEEDLE GUARD

Ref. No.	Part No.	Description	Amt. Req.
1.	GB29389Q	Cast-Off Plate Assembly	1
2.	34304	Retaining Finger	1
3.	34304B	Support, for retaining finger	1
4.	22894W	Screw	1
5.	605C	Screw	1
6.	34304F	Thread Control Finger	1
7.	J86JR	Screw	1
8.	34304C	Cast-Off Finger	1
9.	34357A	Cast-Off Plate	1
10.	22894W	Screw	2
11.	87U	Screw	1
12.	34358BA	Thread Guide	1
13.	73A	Screw	1
14.	50368U	Shaft, for cast-off	1
15.	50325Z	Needle Guard, front	1
16.	50325AB	Holder, for needle guard, front	1
17.	SS8090540SP	Screw	1
18.	50325AA	Holder, for needle guard, rear	1
19.	22580	Screw	1
20.	50325AC	Needle Guard, rear	1
21.	SS9090410TP	Screw	1
22.	34368	Fork	1
23.	22894AD	Screw	1
24.	34366	Collar	1
25.	22743	Screw	1
26.	34323	Take Up	1
27.	22894T	Screw	2
28.	34323C	Cam, looper	1
29.	22560	Screw	1





TORQUE:
20-22 in. lbs.
(2.3-2.5 Nm)

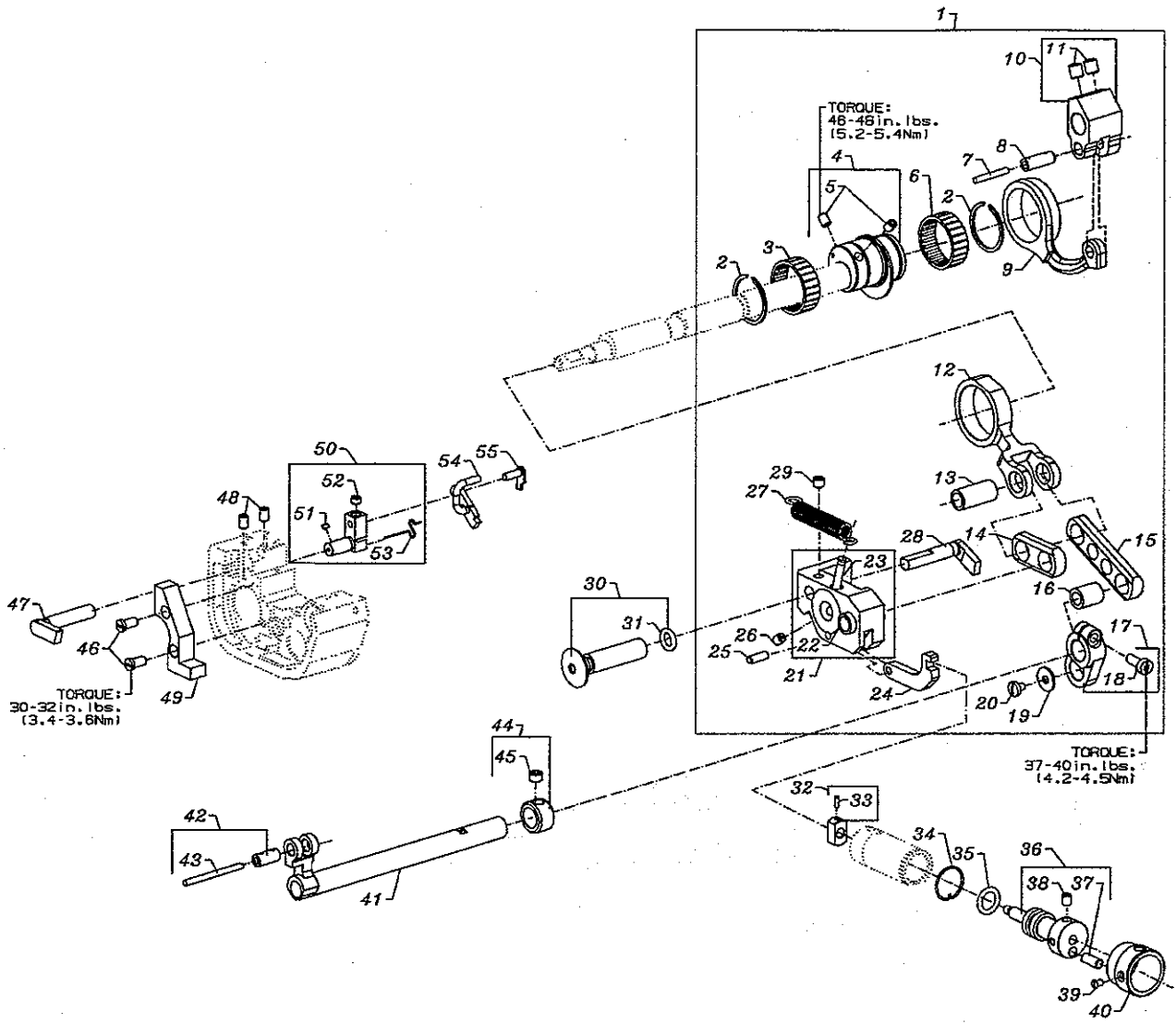


FEED DRIVE MECHANISM

Ref. No.	Part No.	Description	Amt. Req.
1.	G29476BV	Feed Bar Assembly	1
2.	9937	Nut	1
3.	34336N	Drive Connection	1
4.	39536C	Bushing	1
5.	22768B	Screw	4
6.	34353A	Differential Feed Dog Holder	1
7.	34353	Main Feed Dog Holder	1
8.	34334S	Feed Bar Assembly	1
9.	96659	Pin	1
*10.		Sliding Block	1
*11.		Feed Lift Slide Block	1
12.	34336U	Stud	1
13.	GA29477AP	Eccentric Assembly	1
14.	34340A	Eccentric	1
15.	22503F	Screw	2
16.	22738B	Screw	1
17.	34336Q	Guide, for eccentric	1
18.	22562A	Screw	1
19.	34336V	Cam Disc	1
20.	96667	Roll Pin	1
21.	97137	Disc Spring	2
22.	34336RA	Washer	1
23.	22738B	Screw	2
24.	34336S	Spacing Stop	1
25.	96663	Roll Pin	1
26.	90	Screw	1
27.	34334E	Feed Lift Shaft	1
28.	CO67E	Cork	1
29.	30-167BLK	Plug	2
30.	CO67B	Cork	1
31.	34335J	Collar	2
32.	22894X	Set Screw	2
33.	22874C	Screw	1
34.	34337F	Eccentric Bushing	1
35.	34336A	Differential Feed Drive Link	1
36.	93	Screw	2
37.	34335G	Feed Bar Guide	1

*NOTE: Not sold separately.



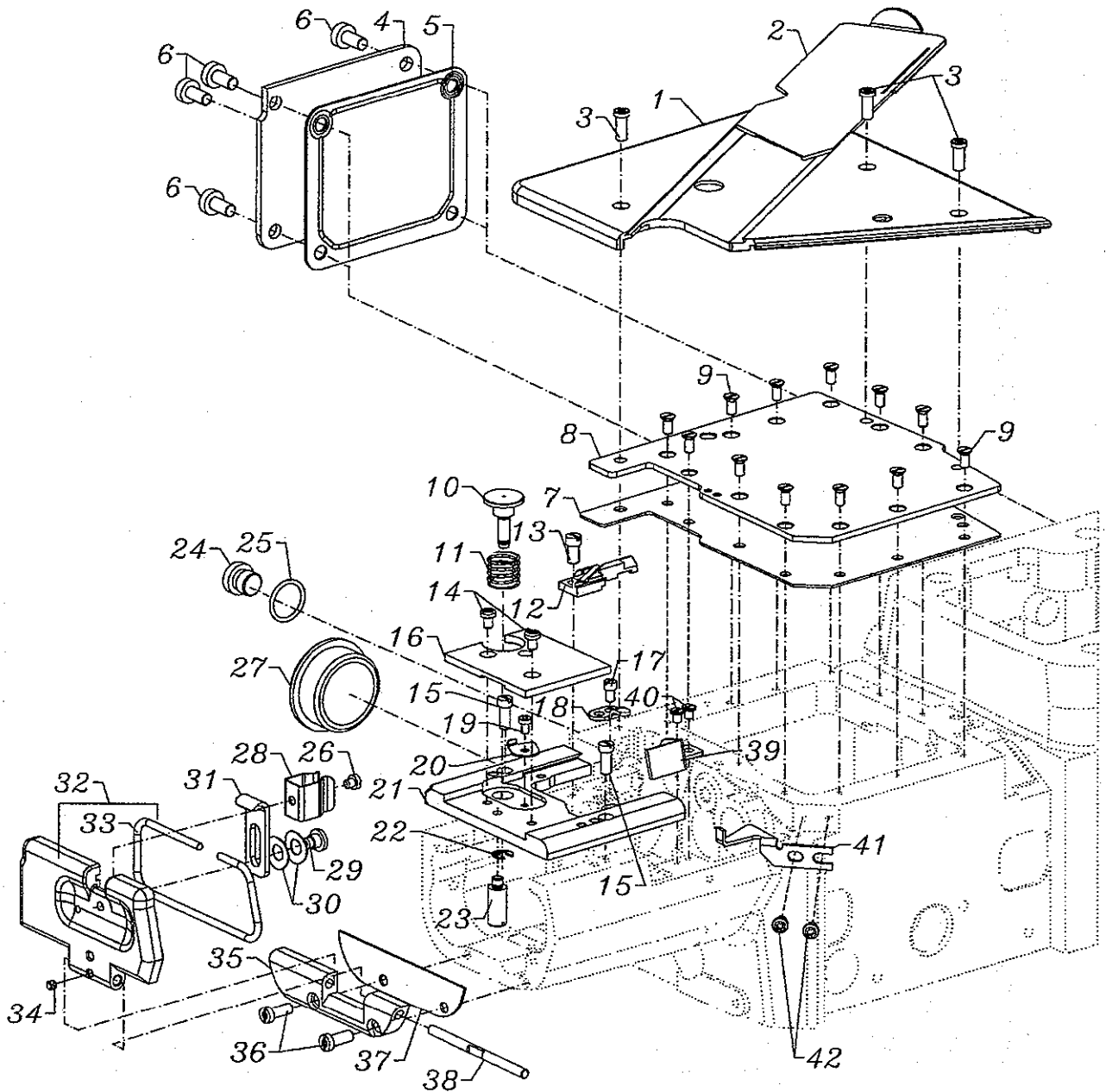


FEED DRIVE MECHANISM

Ref. No.	Part No.	Description	Amt. Req.
1.	G29476BS	Feed Drive Assembly	1
2.	999-215	Snap Ring	2
*3.		Bearing	1
*4.		Double Eccentric	1
5.	22894AD	Screw	2
*6.		Bearing	1
7.	666-149	Felt Wick	1
8.	G51054	Link Pin	1
*9.		Connecting Rod, for feed link	1
*10.		Feed Lift Lever	1
11.	22894AE	Set Screw	2
*12.		Connecting Rod, for differential feed	1
*13.		Link Pin	1
*14.		Pitman Rod	1
*15.		Connecting Rod	1
*16.		Link Pin	1
*17.		Differential Feed Drive Lever	1
18.	93	Screw	1
19.	34337E	Shim Ring	1
20.	22585C	Screw	1
*21.		Bracket	1
22.	34337	Link Pin	1
23.	96865	Dowel Pin, Grooved	1
*24.		Lever	1
25.	G55241F	Hinge Pin	1
26.	22894AD	Set Screw	1
27.	96719	Spring	1
28.	34335D	Guide Stud	1
29.	22894C	Set Screw	1
30.	34335F	Stud	1
31.	999-211E	"O" Ring	1
32.	34336LA	Nut	1
33.	96653	Roll Pin	1
34.	34336MC	Retaining Ring	1
35.	999-211P	"O" Ring	1
36.	34336HB	Adjusting Screw	1
37.	96531	Pin	1
38.	22560B	Set Screw	1
39.	77K	Set Screw	1
40.	34336TA	Bushing	1
41.	34334A	Feed Drive Shaft	1
42.	34336P	Link Pin	1
43.	666-149	Oil Wick	1
44.	34335J	Collar	1
45.	22894X	Screw	1
46.	22569G	Screw	2
47.	34335D	Guide Stud	1
48.	22894R	Set Screw	2
49.	34335H	Feed Bar Guide	1
50.	34363	Pawl Support	1
51.	28B	Screw	1
52.	22894W	Screw	1
53.	34363A	Spring	1
54.	34363B	Pawl	1
55.	34363C	Stop	1

*NOTE: Not sold separately.

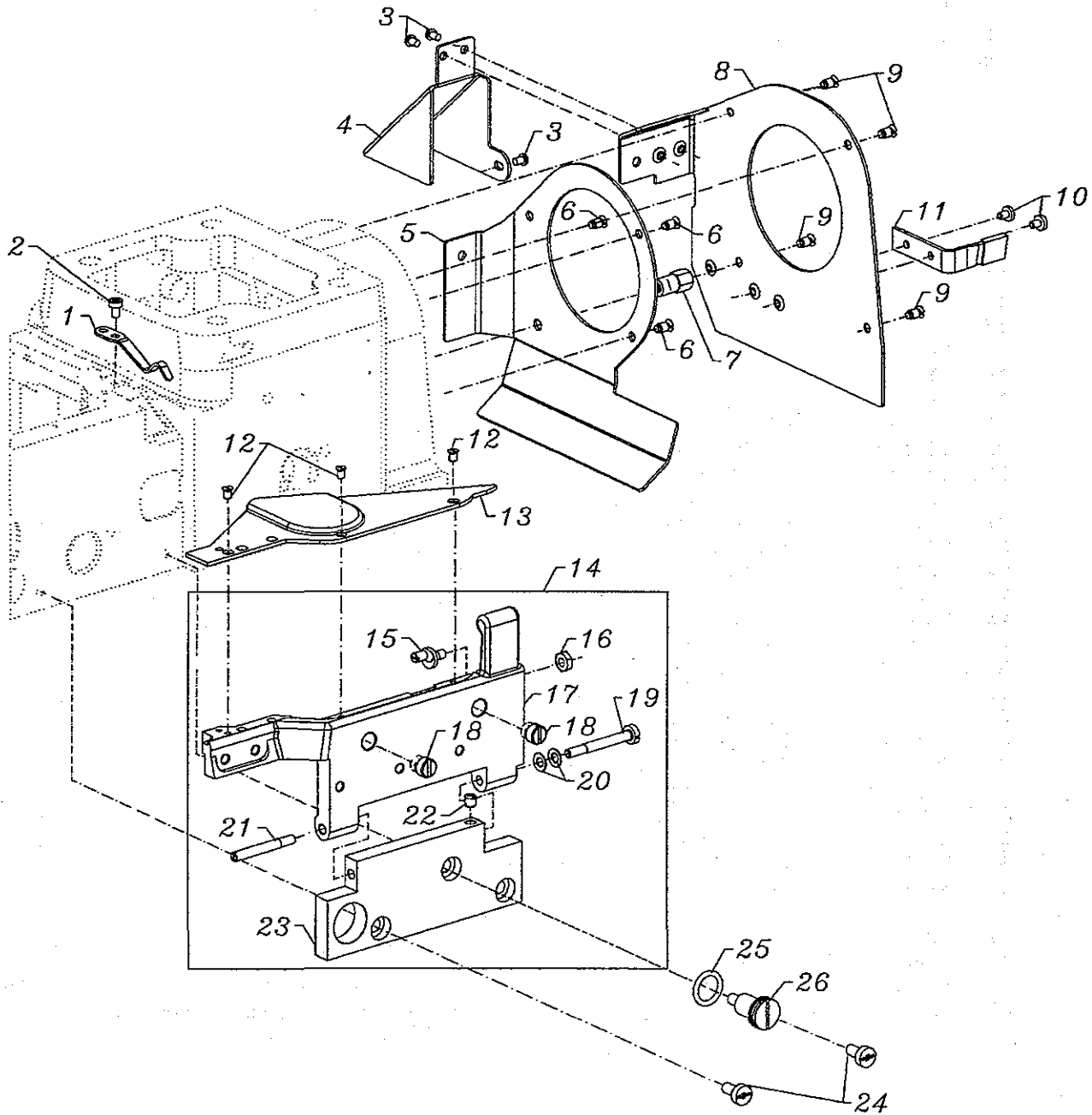




COVERS LOWER BED

Ref. No.	Part No.	Description	Amt. Req.
1.	50301BG	Cloth Plate Assembly	1
2.	50382CN	Slide Cover	1
3.	22569B	Screw, for cloth plate	3
4.	56382D	Chamber Cover	1
5.	34782C	Chamber Cover Gasket	1
6.	22548	Screw, for chamber cover	4
7.	34382EA	Gasket, for oil reservoir cover	1
8.	34382J	Oil Reservoir Cover	1
9.	22524	Screw, for oil reservoir cover	12
10.	34367	Stop Bolt	1
11.	97014	Spring	1
12.	34381B	Rest for Slide	1
13.	79	Screw, for rest for slide	1
14.	90	Screw	2
15.	J79J	Screw	2
16.	34367A	Cover, for throat plate support	1
17.	91	Screw, for support for slide	1
18.	34367B	Safety Catch	1
19.	95685	Screw	1
20.	34381A	Support for Slide	1
21.	34380	Throat Plate Support	1
-	96527	Pin (not shown)	2
22.	96277	Retaining Ring	1
23.	99364L	Shank Screw	1
24.	99376	Plug Screw, for bed	1
25.	96390	Washer, for plug screw	1
26.	HS24C	Screw	1
27.	50393EU	Plug, for top	1
28.	99697J	Latch Spring	1
29.	22746	Screw, for handle	1
30.	39536AD	Spring Washer, for handle	2
31.	34382W	Handle	1
32.	50382FV	Cylinder Cover	1
33.	1266033	Sealing Cord (0.19m)	1
34.	22894Y	Screw	1
35.	50382FU	Hinge, for cylinder cover	1
36.	22541B	Screw, for hinge	2
37.	34382UA	Gasket, for hinge	1
38.	34382V	Pin, for hinge	1
39.	50382GV	Plate Cover	1
40.	SS6090420SP	Screw, for plate cover	2
41.	34750N	Thread Guide (included in under bed thread trimmer see page 47)	1
42.	90	Screw, for thread guide (included in under bed thread trimmer see page 47) ...	2



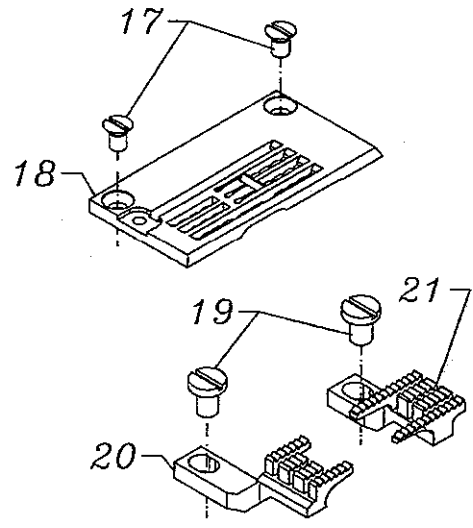
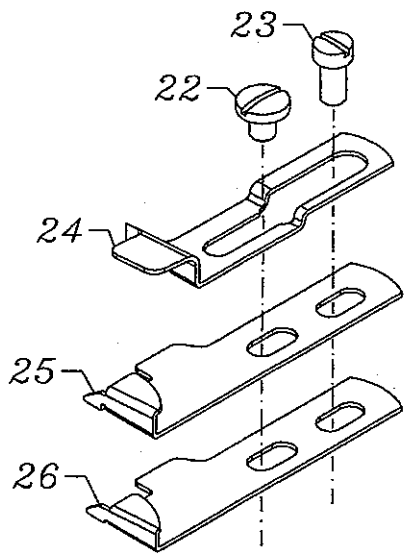
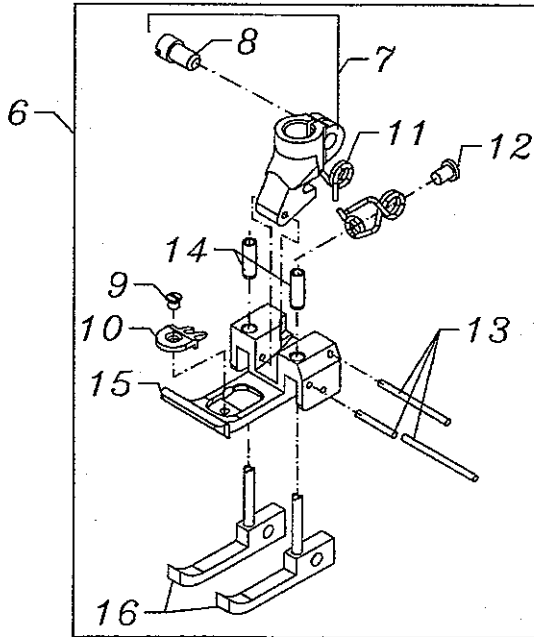
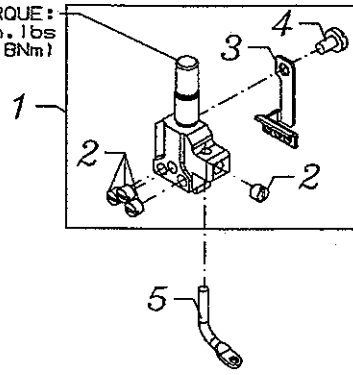


COVERS LOWER BED - FRONT

Ref. No.	Part No.	Description	Amt. Req.
1.	43281K	Latch Spring	1
2.	95860	Screw	1
3.	SS4090515SP	Screw	3
4.	50382GR	Belf Guard	1
5.	34382AD	Air Duct	1
6.	22757E	Screw	3
7.	99353A	Spacer Stud	1
8.	50395J	Belf Guard	1
9.	22757E	Screw	4
10.	22585C	Screw	2
11.	34767K	Synchronizer Stop	1
12.	22766	Screw	3
13.	50301BK	Cloth Plate Assembly	1
14.	29476SA	Swing-Out Cloth Plate Support	1
15.	99301A	Eccentric Screw	1
16.	9937	Nut	1
17.	50364R	Cloth Plate Support	1
18.	99356	Stop Screw	2
19.	99350	Shoulder Screw	1
20.	97127	Cup Spring	2
21.	99351	Shoulder Screw	1
22.	95	Set Screw	1
23.	50364S	Hinge Plate	1
24.	22548	Screw	2
25.	660-212	"O" Ring	1
26.	99620	Stop Screw	1



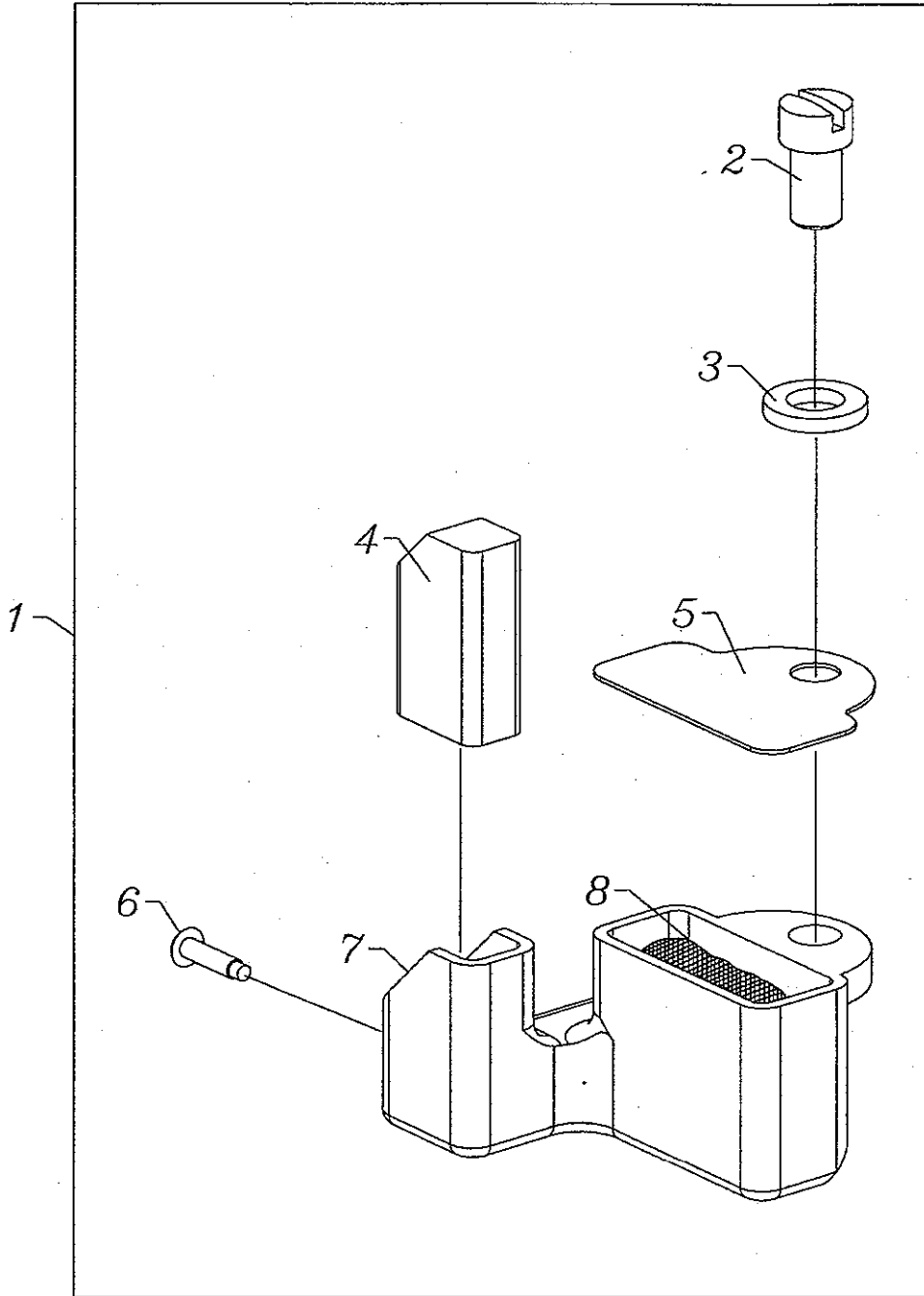
TORQUE:
14-16in.lbs
(1.6-1.8Nm)



SEWING PARTS

Ref. No.	Part No.	Description	Amt. Req.
1.	50318AD56	Needle Head, for Style CS132H01-3B_/UT5 .056 gauge	1
-	50318AC60	Needle Head, for Styles CS122H01-3B_/UT5, CS132H01-3B_/UT5 .060 gauge	1
2.	SS8080310TP	Set Screw	4
3.	50318AE56	Eyelet	1
4.	SS6066440TP	Screw	1
5.	50392G	Needle Thread Eyelet	1
6.	50320T60	Presser Foot Assembly	1
7.	G65-134	Shank	1
8.	91	Screw	1
9.	22716A	Screw	1
10.	50397A16	Stitch Tongue	1
11.	79633	Spring	1
12.	605	Screw	1
13.	6-25-55	Drill Rod	3
14.	G50-266	Bushing	2
15.	50330BL16	Presser Foot Bottom	1
16.	57830A	Yielding Section	2
17.	87	Screw, for throat plate	2
18.	50324BS56	Throat Plate, for Style CS132H01-3B_/UT5 .056 gauge	1
-	50324BS60	Throat Plate, for Styles CS122H01-3B_/UT5, CS132H01-3B_/UT5 .060 gauge	1
19.	99293	Screw, for feed dogs	2
20.	34726F	Differential Feed Dog	1
21.	34705F	Main Feed Dog	1
22.	25S	Screw	1
23.	22715A	Screw	1
24.	34703F3	Hemmer, Upper	1
25.	34703F1	Hemmer, Lower	1
26.	34703FA1	Hemmer, Lower	1

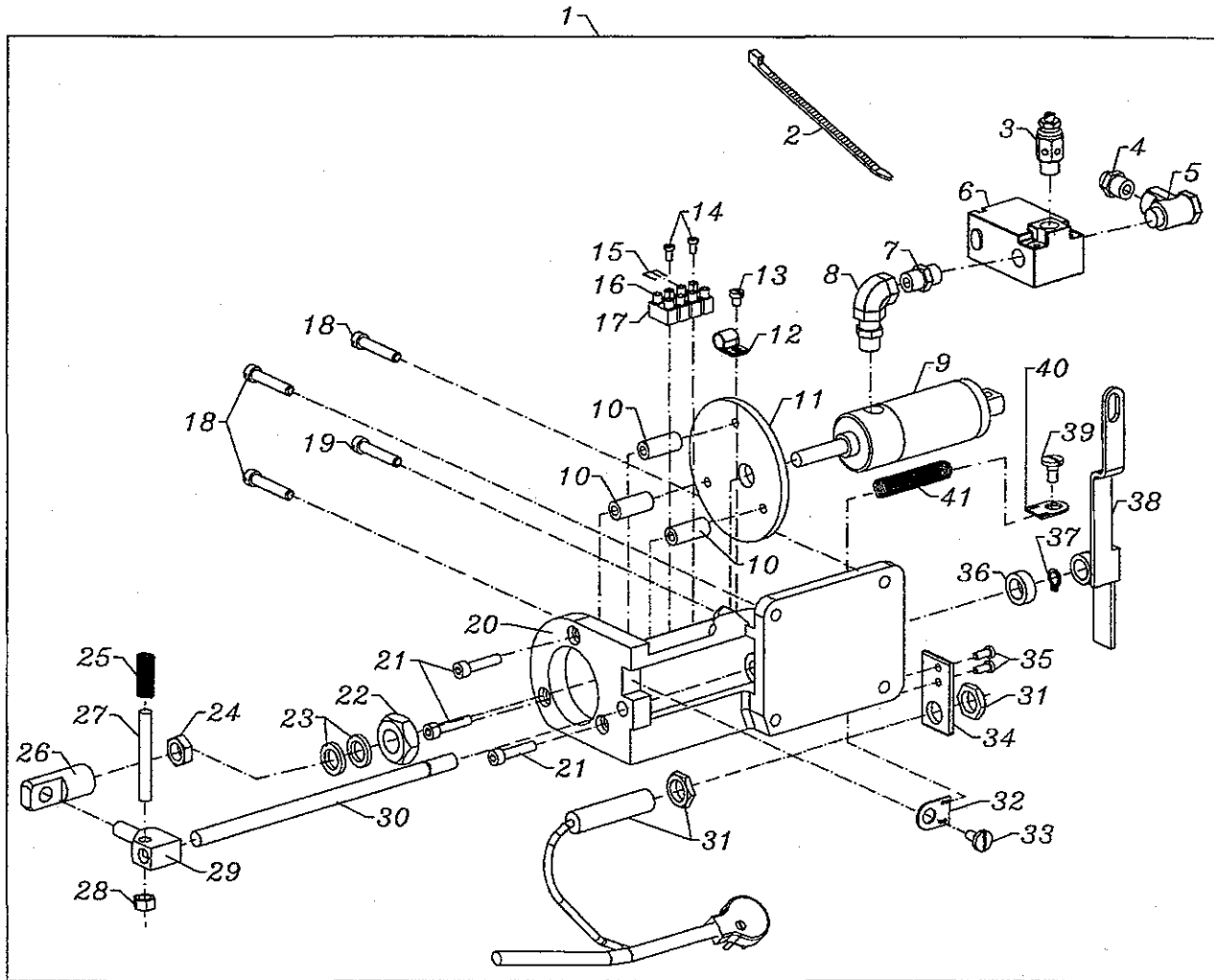




NEEDLE DIPPER (EXTRA SEND CHARGE)

Ref. No.	Part No.	Description	Amt. Req.
1.	29480ARS	Needle Dipper Assembly	1
2.	22562B	Screw, for needle dipper	1
3.	80265	Washer	1
4.	50393GW	Felt	1
5.	50382GJ	Needle Dipper Cover	1
6.	666-197	Pin, for oil wick	1
7.	50393GJ	Needle Dipper	1
8.	CQ200000000	Oil Wick	1

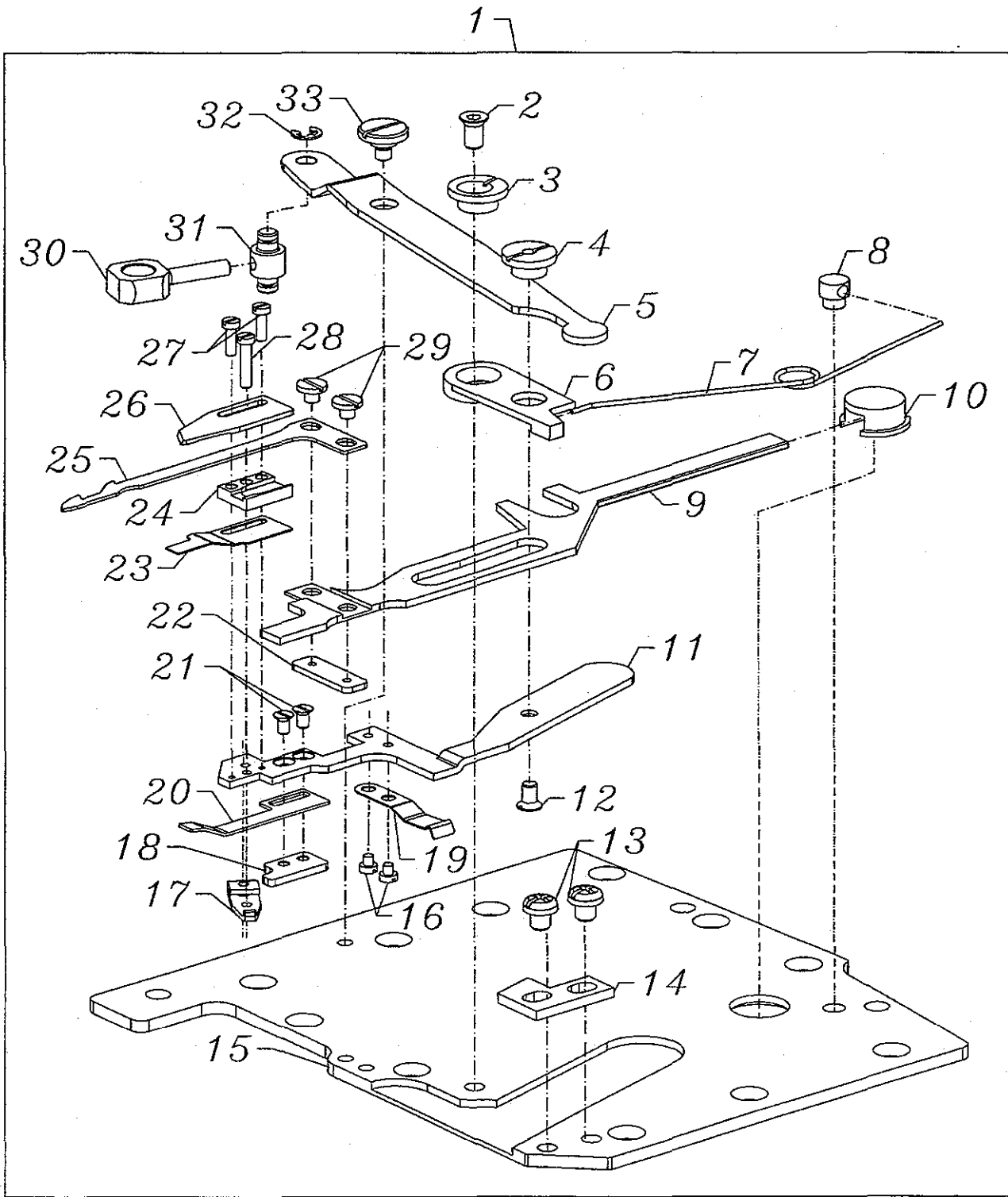




**PNEUMATIC DRIVE ASSEMBLY
FOR UNDER BED THREAD TRIMMER ASSEMBLY**

Ref. No.	Part No.	Description	Amt. Req.
1.	29480ASP	Pneumatic Drive Assembly	1
2.	670-E2	Cable Tie	1
3.	671-198	Muffler Valve	1
4.	671F81D	Air Fitting	1
5.	671-102B	Needle Valve	1
6.	671-50	Mac Valve	1
7.	RM3287-2	Hex Nipple	1
8.	RM2881-1	Elbow	1
9.	660-397	Air Cylinder	1
10.	99617T	Spacer	3
11.	99591DH	Disk	1
12.	998-358E	Cable Clamp	1
13.	22542	Screw	1
14.	95179K	Screw	2
15.	1318001	Wire	1
16.	998-304	Terminal Block	1
17.	998-297A	Cable End Plate	1
18.	22852A	Screw	3
19.	22517A	Screw	1
20.	G52882KW	Support Bracket	1
21.	95411	Screw	3
22.	99327	Nut	1
23.	99615	Washer	2
24.	21233FB	Nut	1
25.	51292F2	Spring	1
26.	99616A	Connector	1
27.	99619	Clamping Screw	1
28.	55235E	Nut	1
29.	99614D	Cross Head	1
30.	99613D	Shaft	1
31.	99733	Switch Assembly	1
32.	80696RA	Retainer	1
33.	14076	Stud	1
34.	34762	Bracket	1
35.	22585	Screw	2
36.	99615	Washer	1
37.	96261	Retaining Ring	1
38.	50373DG	Lever	1
39.	22569C	Screw	1
40.	80696RA	Retainer	1
41.	96721	Spring	1

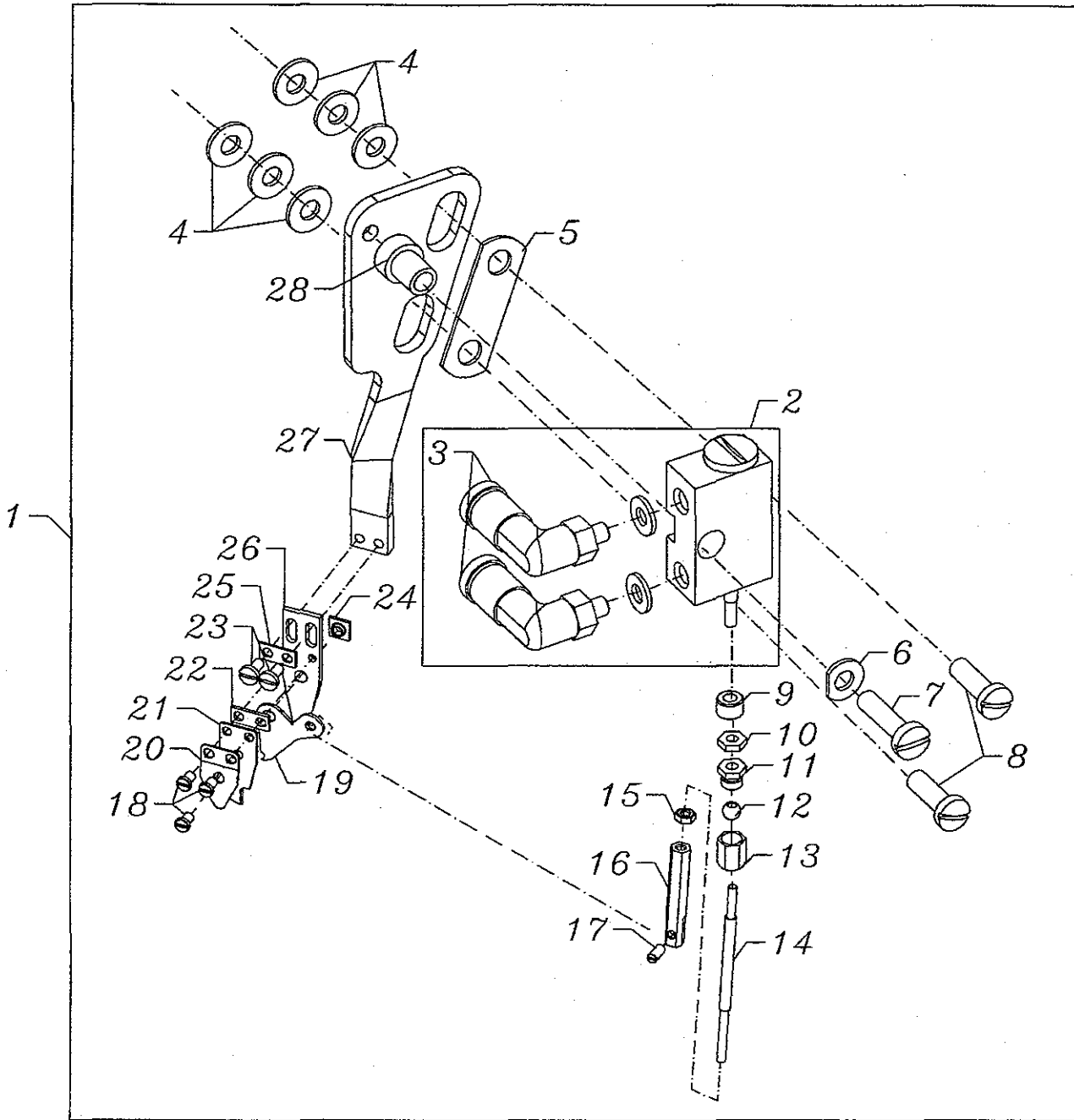




UNDER BED THREAD TRIMMER ASSEMBLY

Ref. No.	Part No.	Description	Amt. Req.
1.	29480ARF	Looper Thread Undertrimmer Assembly	1
2.	18-1450	Screw	1
3.	34768A	Eccentric Guide	1
4.	34768B	Guide Washer	1
5.	34763P	Lever	1
6.	34750R	Lever	1
7.	34763N	Spring	1
8.	34751MS	Pin	1
9.	34750T	Lower Knife Holder	1
10.	34750U	Guide	1
11.	34750S	Upper Knife Holder	1
12.	18-1456	Screw	1
13.	18-1449	Screw	2
14.	34775H	Stop	1
15.	34382AC	Oil Reserve Cover	1
16.	SM6020250TP	Screw	2
17.	34751MT	Tension Lever	1
18.	34769B	Threaded Plate	1
19.	34773E	Leaf Spring	1
20.	34773D	Leaf Spring	1
21.	SM1020450TP	Screw	2
22.	34769C	Threaded Plate	1
23.	34773F	Leaf Spring	1
24.	34750P	Lower Knife Guide	1
25.	34749M	Lower Knife	1
26.	34770M	Upper Knife	1
27.	SM6020600TP	Screw	2
28.	SM6021000TP	Screw	1
29.	18-1453	Screw	2
30.	34752M	Driving Link	1
31.	34794A	Carrier Bolt	1
32.	RE0250000K0	E-Ring	1
33.	SD0600176SP	Screw	1
-	34750N	Thread Guide (see page 37)	1
-	90	Screw, for thread guide (see page 37)	2

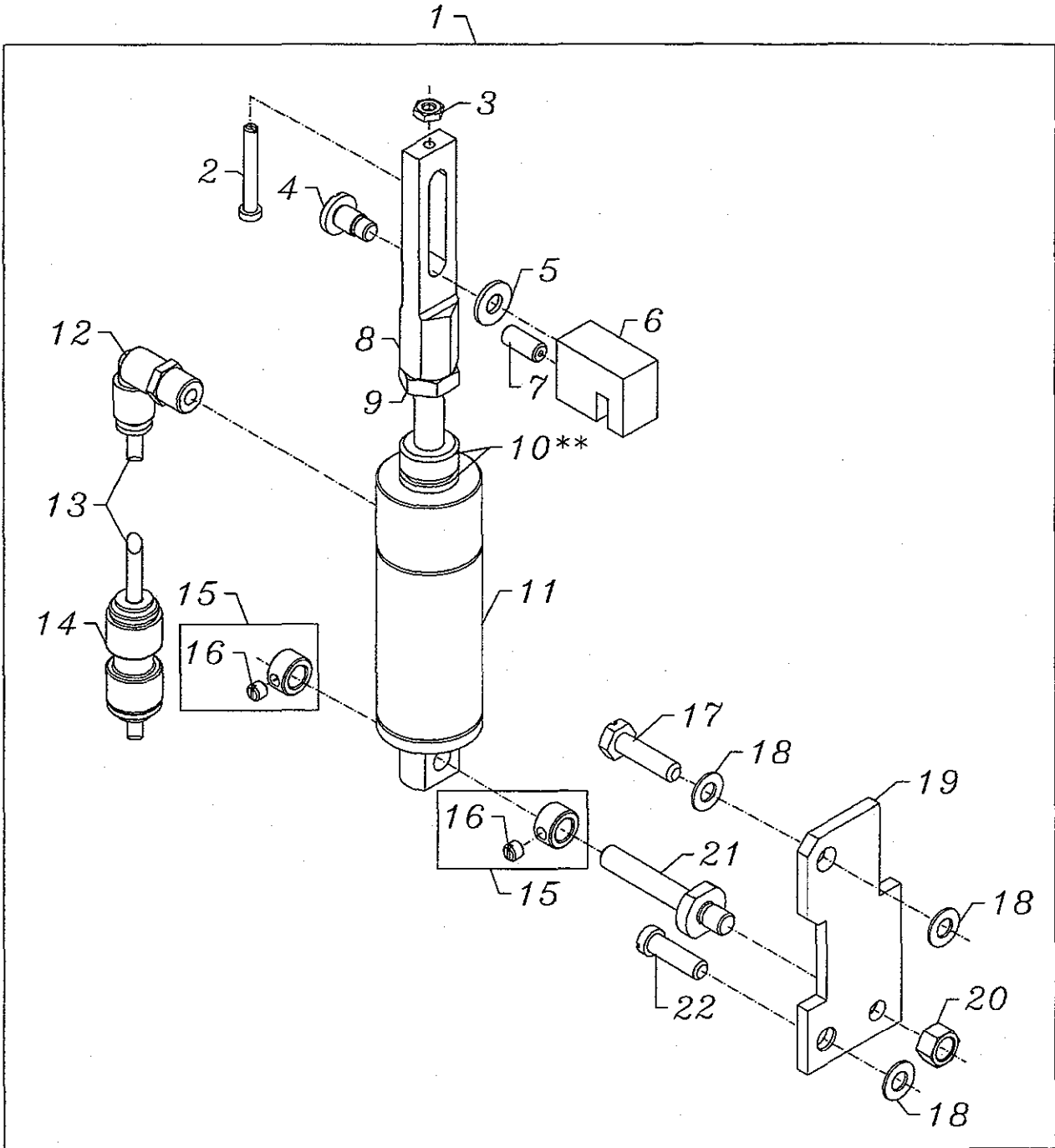




**COVER THREAD TRIMMER
FOR STYLE CS132H01-3B_ _ / UT5**

Ref. No.	Part No.	Description	Amt. Req.
1.	50370G	Cover Thread Trimmer Assembly (mounts to head cover 50382FX)	1
2.	99683VG	Housing	1
3.	999-411M5-4	Coupling	2
4.	69H	Washer	6
5.	34751MF	Washer Plate	1
6.	39278C	Washer	1
7.	93B	Screw	1
8.	SS4121415SP	Screw	2
9.	34751MH	Spacer	1
10.	95259	Nut	1
11.	34751MJ	Coupling	1
12.	34751MK	Ball	1
13.	34751ML	Nut	1
14.	34751MP	Connecting Rod	1
15.	35875V	Nut	1
16.	34751MQ	Clevis	1
17.	79077	Screw	1
18.	22738B	Screw	3
19.	34770LB	Knife	1
20.	34751ME	Spring	1
21.	34749LB	Fixed Knife	1
22.	34751MC	Washer Plate	1
23.	22798A	Screw	2
24.	34751MD	Square Collar	1
25.	34751MR	Washer Plate	1
26.	34751MB	Support	1
27.	50372DG	Holder	1
28.	99683VF4	Bushing	1



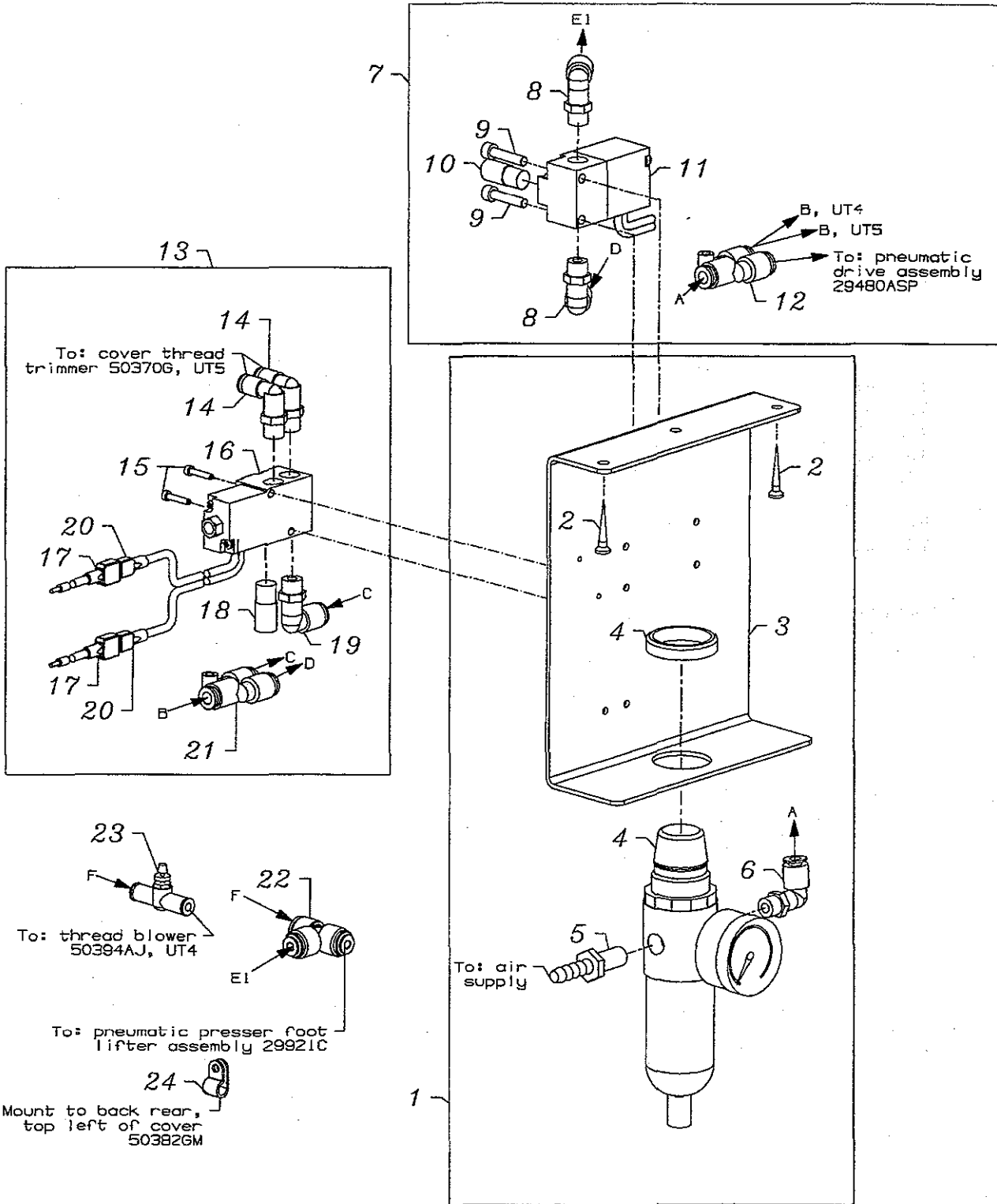


**PNEUMATIC PRESSER FOOT LIFTER
FOR STYLE CS122H01-3B_ _ / UT4**

Ref. No.	Part No.	Description	Amt. Req.
1.	29921C	Pneumatic Presser Foot Lifter Assembly	1
2.	99372B	Regulating Screw	1
3.	41071G	Nut	1
4.	31137G	Shoulder Screw	1
5.	61434G	Washer	1
6.	34383E	Clamp Block	1
7.	22894E	Set Screw	1
8.	99590Q	Cylinder Rod	1
9.	21233FB	Nut	1
**10.	99590R	Stop Ring (see note)	2
11.	660-397	Air Cylinder	1
12.	999-412R1/8-4	Swivel Elbow	1
13.	1314003	PA-Tube	1
14.	999-292	Push-Pull Coupling	1
15.	6958	Collar	2
16.	88	Set Screw	2
17.	627A	Hex Head Cap Screw	1
18.	20	Washer	3
19.	99591S	Bracket	1
20.	55235E	Nut	1
21.	99391E	Stud Bolt	1
22.	22839E	Screw	1

**Removal of one or both stop rings is required when presser foot lifting exceeds 2mm (5/64in.).



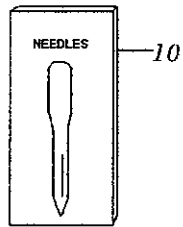
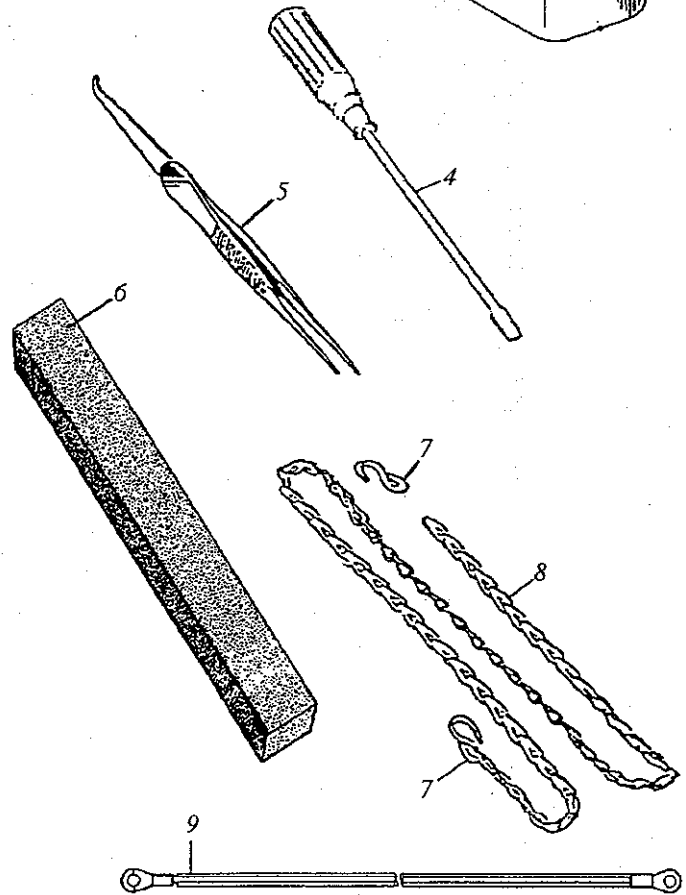
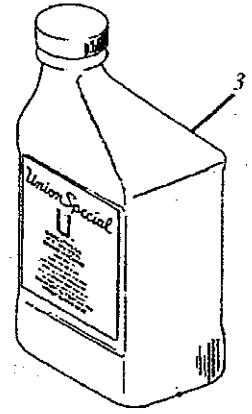
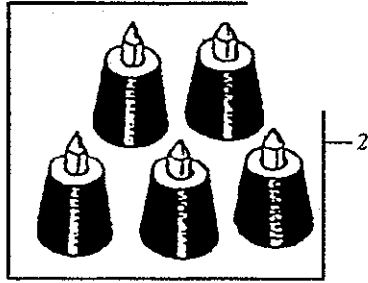
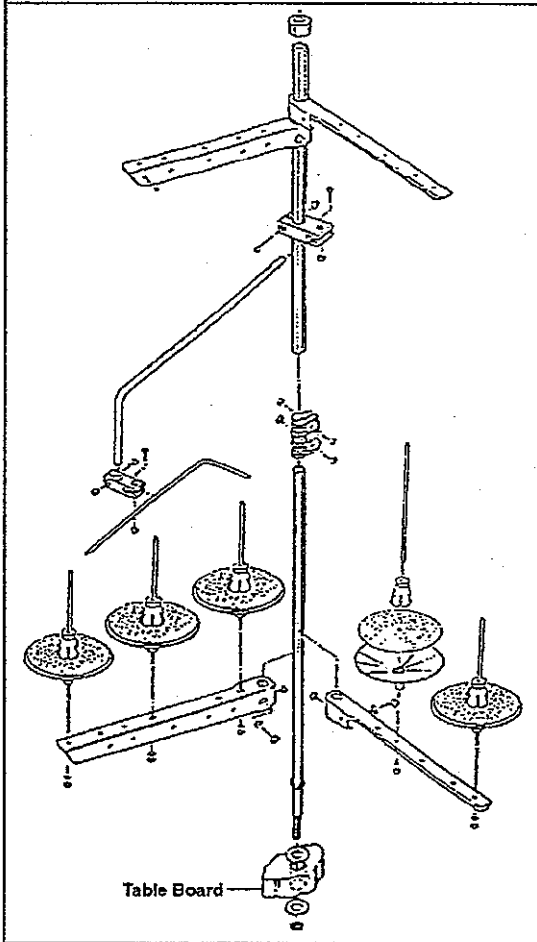


PNEUMATIC CONTROL

Ref. No.	Part No.	Description	Amt. Req.
1.	29480ASU	Pneumatic Control Kit	1
2.	90561K	Wood Screw	2
3.	99683CP	Mounting Bracket	1
4.	671D31	Filter/ Regulator Assembly	1
5.	671F1	Barb Fitting	1
6.	671F81C	Elbow Fitting - 6mm x 1/2" NPT	1
-	1314001	Air Tubing - 6mm O.D. x 1m (not shown)	2
7.	29480AST	Presser Foot Lifter Kit	1
8.	671F81C	Elbow Fitting - 6mm x 1/8" NPT	2
9.	95415	Screw - 4mm	2
10.	660-403	Muffler	1
11.	671-50	Valve	1
*12.	671F86B	Splitter	1
-	670E673	Cable Harness (not shown)	1
-	RM2724A	Connector (male, not shown)	2
-	1314001	Air Tubing - 6mm O.D. x 1mm (not shown)	1
13.	29480ASN	Spreader Thread Trimmer Control Kit, for Style CS132H01-3B/UT5	1
14.	671F82C	Elbow Fitting - 4mm x 1/8" NPT	2
15.	18-1471	Screw- 3mm	2
16.	671-109A	4 Way Valve	1
17.	670E8	Wire & Connector	2
18.	660-403	Muffler	1
19.	671-F81C	Elbow Fitting - 6mm x 1/8" NPT	1
20.	670G102	Connector	2
-	670E2	Wire Tie (not shown)	4
-	1314001	Air Tubing - 6mm O.D. x 1m (not shown)	1
-	1314003	Air Tubing - 4mm x 1m (not shown)	2
*21.	671F86B	Splitter	1
22.	671F82J	"T" Fitting	1
23.	671-168	Needle Valve	1
24.	998-358E	Tube Clamp	1

* E on UT4 Style connect "E1" to "E2". On UT5 Style connect "E1" to presser foot lift 29921C.





F369-95



ACCESSORIES

Ref. No.	Part No.	Description	Amt. Req.
1.	21101W5	Thread Stand	1
2.	51295B	Isolator	5
3.	28604R	Oil (1 pint)	1
4.	G21201	Screwdriver, for needle head	1
5.	660-240	Thread Tweezer	1
6.	34395	Profile Runner	1
7.	660-264	"S" Hook	2
8.	421D34	Chain	1
9.	90233EB	Ground Wire	1
10.	121GJS070/027	Needles, (package of 10)	1



NUMERICAL INDEX OF PARTS

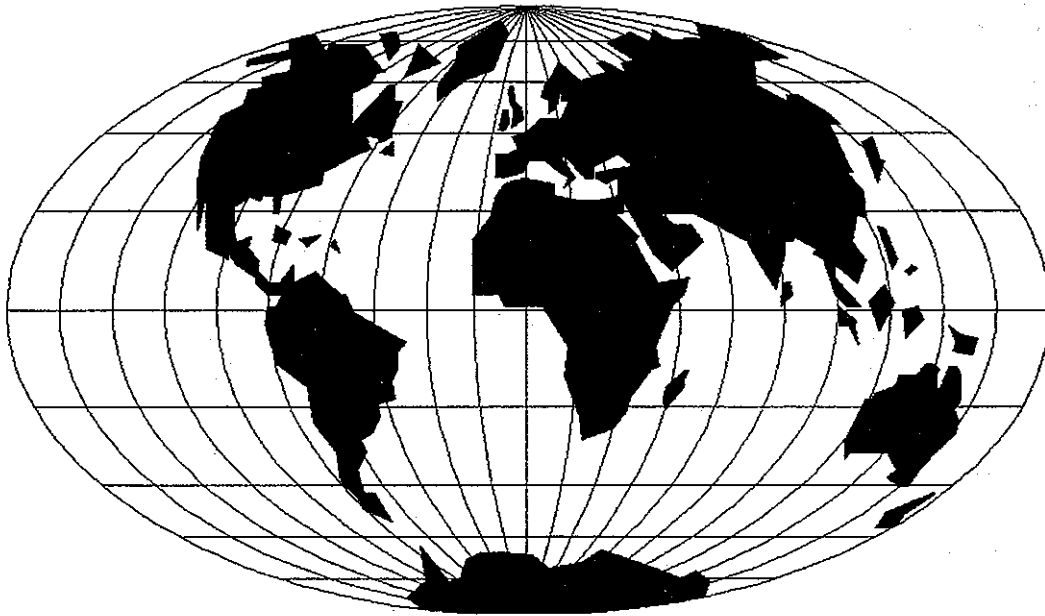
Part No.	Page No.	Part No.	Page No.	Part No.	Page No.	Part No.	Page No.	Part No.	Page No.
11071602	21	22894W	31, 35	34344D	29	34767K	39	50347E	9
11071701	21	22894X	33, 35	34344E	29	34768A	47	50347F	9
12124202	17	22894Y	37	34353	33	34768B	47	50347G	15
121GJS070/027	55	258A	27	34353A	33	34769B	47	50347J	15
1266033	37	25S	41	34357A	31	34769C	47	50347K	15
1314001	53	28604R	55	34358BA	31	34770LB	49	50347L	9
1314003	53	28604X	15	34358F	17	34770M	47	50348	29
1318001	45	28B	35	34363	31, 35	34773D	47	50351A	11
14076	45	28C	19	34363A	35	34773E	47	50352	11
14077	23	29126FL	15	34363B	35	34773F	47	50354F	11
18C1471	17	29475CG	17	34363C	35	34775H	47	50354G	11
18-1449	47	29476SA	39	34366	31	34782C	37	50354H	9
18-1450	47	29476SB	27	34367	37	34794A	47	50354J	9
18-1453	47	29477NL	19	34367A	37	34893	29	50355AM	11
18-1456	47	29480ARF	47	34367B	37	34893A	9	50355AN	11
18-1470	27	29480ARS	43	34368	31	35875V	49	50355AR	21
18-1471	53	29480ASN	53	34380	37	36271A	17	50357AA	21
20	51	29480ASP	45	34381A	37	39278C	49	50357AD	17
21101W5	55	29480AST	53	34381B	37	39536AD	37	50357V	17
21233FB	45, 51	29480ASU	53	34382AC	47	39536C	33	50357Y	17
22503F	33	29921C	51	34382AD	39	39543E	29	50358U	17
22517A	45	30-167BLK	33	34382EA	37	41071G	51	50358W	17
22524	37	31137G	51	34382J	37	41350X	27	50358X	11
22541B	29, 37	34304	31	34382UA	37	421D34	55	50360	15
22542	45	34304B	31	34382V	37	43281K	39	50360B	15
22548	37, 39	34304C	31	34382W	37	50301BG	37	50360C	15
22560	31	34304F	31	34383E	51	50301BK	39	50360D	15
22560A	25	34321CB	25	34390	9	50311C	25	50360E	15
22560B	35	34321CC	25	34393D	27	50317B	11	50362	15
22562	21	34323	31	34393L	27	50317C	23	50363CJ	17
22562A	33	34323C	31	34393M	27	50318AC60	41	50364R	39
22562B	43	34334A	35	34393V3480	25	50318AD56	41	50364S	39
22565C	9	34334E	33	34394	9	50318AE56	41	50366	17
22569B	25, 37	34334S	33	34394A	9	50320T60	41	50366A	17
22569C	45	34335D	35	34394B	9	50321H	13	50366B	17
22569G	35	34335F	35	34395	55	50322AF	13	50368U	31
22571F	9	34335G	33	34642A	29	50322AH	25	50370F	17
22580	31	34335H	35	34682C	27	50322AN	25	50370G	49
22585	45	34335J	33, 35	34703F1	41	50323P	11	50372DG	49
22585C	35, 39	34336A	33	34703FA1	41	50324BS56	41	50373DC	9
22596	19	34336B	9	34705F	41	50324BS60	41	50373DD	9
22651AA4	25	34336C	9	34709D	29	50325AA	31	50373DG	45
22652A12	29	34336D	9	34722A	25	50325AB	31	50381	21
22715A	41	34336E	9	34726F	41	50325AC	31	50381B	21
22716A	41	34336F	9	34749LB	49	50325Z	31	50381E	9
22733C	29	34336G	9	34749M	47	50330BL16	41	50381F	21
22735	19	34336HB	35	34750N	37, 47	50330CZ	9	50381G	21
22738B	33, 49	34336LA	35	34750P	47	50332S	27	50382CN	37
22743	31	34336MB	9	34750R	47	50332U	9	50382FU	37
22746	37	34336MC	35	34750S	47	50332V	21	50382FV	37
22757	19	34336N	33	34750T	47	50335AF	21	50382FW	23
22757E	39	34336P	35	34750U	47	50335AG	21	50382FX	23
22758E	23	34336Q	33	34751MB	49	50335AH	21	50382FY	23
22766	23, 39	34336RA	33	34751MC	49	50335AP	25	50382FZ	23
22768B	33	34336S	33	34751MD	49	50335AV	15	50382GA	23
22798A	49	34336TA	35	34751ME	49	50335AW	15	50382GB	23
22811B	29	34336U	33	34751MF	49	50335BC	25	50382GC	23
22829	9	34336V	33	34751MH	49	50335BD	13	50382GJ	43
22839E	51	34337	35	34751MJ	49	50342AY	13	50382GM	23
22852A	45	34337E	35	34751MK	49	50342BD	25	50382GR	39
22874	9	34337F	33	34751ML	49	50342BH	25	50382GS	27
22874C	33	34340A	33	34751MP	49	50343B	29	50382GV	37
22894AD	9, 31	34342F	9	34751MQ	49	50343RC	29	50383L	11
22894AD	35	34342G	9	34751MR	49	50344AF	29	50383M	11
22894AE	35	34342H	29	34751MS	47	50344AG	29	50390L	25
22894C	29, 35	34342J	29	34751MT	47	50344AK	9	50390P	25
22894E	51	34343B	29	34752M	47	50346	17	50391	13
22894R	35	34343C	29	34763N	47	50346A	15	50391A	13
22894T	31	34344A	29	34763P	47	50347C	15	50392AB	9



NUMERICAL INDEX OF PARTS

<u>Part No.</u>	<u>Page No.</u>	<u>Part No.</u>	<u>Page No.</u>	<u>Part No.</u>	<u>Page No.</u>	<u>Part No.</u>	<u>Page No.</u>	<u>Part No.</u>	<u>Page No.</u>
50392AG ...	17	61351C ...	15	95953 ...	27	999-211E ...	35	SM1020450TP ...	47
50392AN ...	19	61434G ...	51	95978 ...	23	999-211G ...	27	SM6020250TP ...	47
50392AP ...	19	627A ...	51	96162A ...	25	999-211P ...	35	SM6020600TP ...	47
50392AR ...	19	652C16 ...	17	96162B ...	15	999-212-035 ...	9	SM6021000TP ...	47
50392AS ...	19	660-1043 ...	13	96261 ...	45	999-213B ...	29	SS1121010SP ...	17
50392AU ...	17	660-212 ...	39	96276 ...	27	999-215 ...	35	SS4080620TP ...	11
50392AV ...	19	660-240 ...	55	96277 ...	37	999-254J ...	27	SS4090515SP ...	39
50392AW ...	17	660-264 ...	55	96390 ...	37	999-292 ...	51	SS4090815SP ...	17
50392AX ...	17	660-397 ...	45, 51	96527 ...	37	999-411M5-4 ...	49	SS4120615SP ...	17
50392AY ...	17	660-403 ...	53	96531 ...	35	999-412R1/8-4 ...	51	SS4120615SP ...	19, 23
50392AZ ...	17	660-739 ...	15, 21	96653 ...	35	A 9 8 5 8 ...	19	SS4120915SP ...	17, 23
50392BA ...	17	660-980 ...	11	96659 ...	33	B1135850000 ...	17	SS4121215SP ...	23
50392G ...	41	661-252 ...	29	96663 ...	33	B2531704000 ...	15	SS4121415SP ...	49
50392S ...	17	661-253 ...	29	96667 ...	33	B3021804010 ...	19	SS4121615SP ...	23
50392T ...	17	661-254 ...	9	96711 ...	19	B3101804000 ...	19	SS6066440TP ...	41
50392V ...	17	661-259B ...	11	96719 ...	35	B3103804000 ...	19	SS6090420SP ...	37
50392X ...	19	661-261 ...	13, 25	96721 ...	45	B3112704000 ...	19	SS6090440SP ...	11
50393ET ...	9	661-262 ...	13	96841 ...	9	B3120352000 ...	19	SS6090560TP ...	29
50393EU ...	23, 37	661-348 ...	25	96865 ...	35	B3120704000 ...	19	SS6090620SP ...	11
50393EW ...	23	666-149 ...	35	97014 ...	37	B3126012000 ...	19	SS6091022TP ...	29
50393EZ ...	25	666-197 ...	43	97127 ...	39	B3530555000 ...	23	SS6110610TP ...	21
50393FD ...	27	670E2 ...	53	97137 ...	33	C067B ...	33	SS6121010SP ...	11, 21
50393FE ...	27	670E673 ...	53	98A ...	17	C50044E ...	17	SS6151920SP ...	21
50393FF ...	27	670E8 ...	53	99293 ...	41	C50056B ...	21	SS6153040SP ...	21
50393FG ...	27	670F2 ...	45	99296 ...	19	C50094B ...	27	SS7060310SP ...	17
50393FH ...	27	670G102 ...	53	99301A ...	39	CE27 ...	11	SS7080510TP ...	15, 17
50393FK ...	27	671-102B ...	45	99327 ...	45	CE49 ...	21	SS7080520SP ...	11
50393FL ...	9	671-109A ...	53	99343 ...	29	CE59 ...	11	SS7090520SP ...	19
50393GF ...	9	671-168 ...	53	99346 ...	29	CE63 ...	11	SS7090610SP ...	17
50393GJ ...	43	671-198 ...	45	99349 ...	27	CO67D ...	29	SS7110910TP ...	15
50393GT ...	27	671-50 ...	45, 53	99350 ...	39	CO67E ...	33	SS7111120TP ...	11, 13
50393GU ...	27	671D31 ...	53	99351 ...	39	CQ200000000 ...	43	SS7120640SP ...	17, 23
50393GW ...	43	671F1 ...	53	99352 ...	9	G21201 ...	55	SS7120710SP ...	17, 27
50393HB ...	23	671F81C ...	53	99353A ...	39	G22559A ...	29	SS7121410TP ...	15
50393HE ...	27	671F81D ...	45	99356 ...	39	G22582 ...	29	SS7660520SP ...	13
50393HH ...	17	671F82C ...	53	99364L ...	37	G29105F ...	29	SS7681410TP ...	13
50393HN ...	27	671F82J ...	53	9937 ...	29, 33	G29476BS ...	35	SS8080310TP ...	41
50393HS ...	11	671F86B ...	53	9937 ...	39	G29476BV ...	33	SS8080410TP ...	17
50393HV ...	27	69H ...	49	99372B ...	51	G50-266 ...	41	SS8090540SP ...	31
50393HW ...	11	6958 ...	51	99376 ...	37	G50-928 ...	25	SS8090710SP ...	9
50393JP ...	11	73A ...	31	99391E ...	51	G51054 ...	35	SS8110422TP ...	11
50393JV ...	23	77A ...	19	99590Q ...	51	G51346KA ...	19	SS8110422TP ...	15, 21
50394AF ...	11	77K ...	35	99590R ...	51	G51358KE ...	19	SS8120410SP ...	27
50394AJ ...	23	79 ...	37	99591DH ...	45	G52882KW ...	45	SS860612TP ...	27
50395J ...	39	79077 ...	49	99591S ...	51	G55241F ...	35	SS8660512TP ...	15
50395K ...	9	79633 ...	41	99613D ...	45	G65-134 ...	41	SS8660612TP ...	13, 15
50397A16 ...	41	80265 ...	43	99614D ...	45	GA29477AP ...	33	SS8660612TP ...	25, 27
51235G ...	29	80696RA ...	45	99615 ...	45	GB29389Q ...	31	SS8661012TP ...	13
51292F2 ...	45	87 ...	41	99616A ...	45	GR15 ...	15	SS8681412TP ...	13
51295B ...	55	87U ...	17, 31	99617T ...	45	HA20B ...	29	SS9090410TP ...	31
52888B ...	21	88 ...	51	99619 ...	45	HS24C ...	37	SS9090640SP ...	15
53678N ...	15	88B ...	29	99620 ...	19, 39	J79J ...	37	SS9151740CP ...	21
55235E ...	45, 51	90 ...	33, 37	99652A ...	29	J86JR ...	31	TA1050504RO ...	23
56382D ...	37	90 ...	47	99658 ...	25	LA451 ...	23	TA1100604RO ...	23
56390E ...	25	90233EB ...	55	99682XC ...	23	NS6110420SP ...	19	VG29105F ...	29
56390H ...	29	90561K ...	53	99682XC1 ...	23	NS6110530SP ...	15		
56392G ...	19	90710A ...	27	99682XC2 ...	23	NS6150310SP ...	21		
56392H ...	19	91 ...	37, 41	99682XCA ...	23	PS400142KH ...	9		
56392L ...	19	93 ...	33, 35	99683CP ...	53	RE0250000K0 ...	47		
56392M ...	19	93B ...	49	99683VF4 ...	49	RE0500000K0 ...	21		
56392S ...	19	95 ...	39	99683VG ...	49	RM2724A ...	53		
57830A ...	41	95179K ...	45	99697J ...	37	RM2881-1 ...	45		
57844 ...	17	95205 ...	25	99733 ...	45	RM3287-2 ...	45		
57865 ...	19	95259 ...	49	998-297A ...	45	RO068190100 ...	21		
57892K ...	19	95406 ...	27	998-304 ...	45	RO195240100 ...	23		
6-25-55 ...	41	95411 ...	45	998-358E ...	45, 53	SD0380551SL ...	17		
605 ...	41	95415 ...	53	999-196 ...	27	SD0600176SP ...	47		
605A ...	17	95685 ...	37	999-211 ...	9	SD0641103TP ...	15		
605C ...	31	95860 ...	39	999-211B ...	9	SD0790303SP ...	21		





WORLDWIDE SALES AND SERVICE

Union Special Corporation maintains sales and service facilities throughout the world. These offices will aid you in the selection of the right sewing equipment for your particular operation. Union Special Corporation representatives and service technicians are factory trained and are able to serve your needs promptly and efficiently. Whatever your location, there is a qualified representative to serve you.

Corporate Office: One Union Special Plaza
Huntley, IL 60142
Phone: 847•669•5101
Fax: 847•669•1096

European Distribution Center: Union Special GmbH
Raiffeisenstrasse 3
D-71696 Möglingen, Germany
Tel: 49•07141•247•0
Fax: 49•7141•247•100

Brussels, Belgium
Charlotte, N.C.
El Paso, TX
Hong Kong, China
Huntley, IL
Leicester, England
Lille, France
Miami, FL
Milan, Italy
Möglingen, Germany
Montreal, Quebec
Osaka, Japan
Santa Fe Springs, CA

Other Representatives throughout
all parts of the world.


Finest Quality

JUKI
Union Special